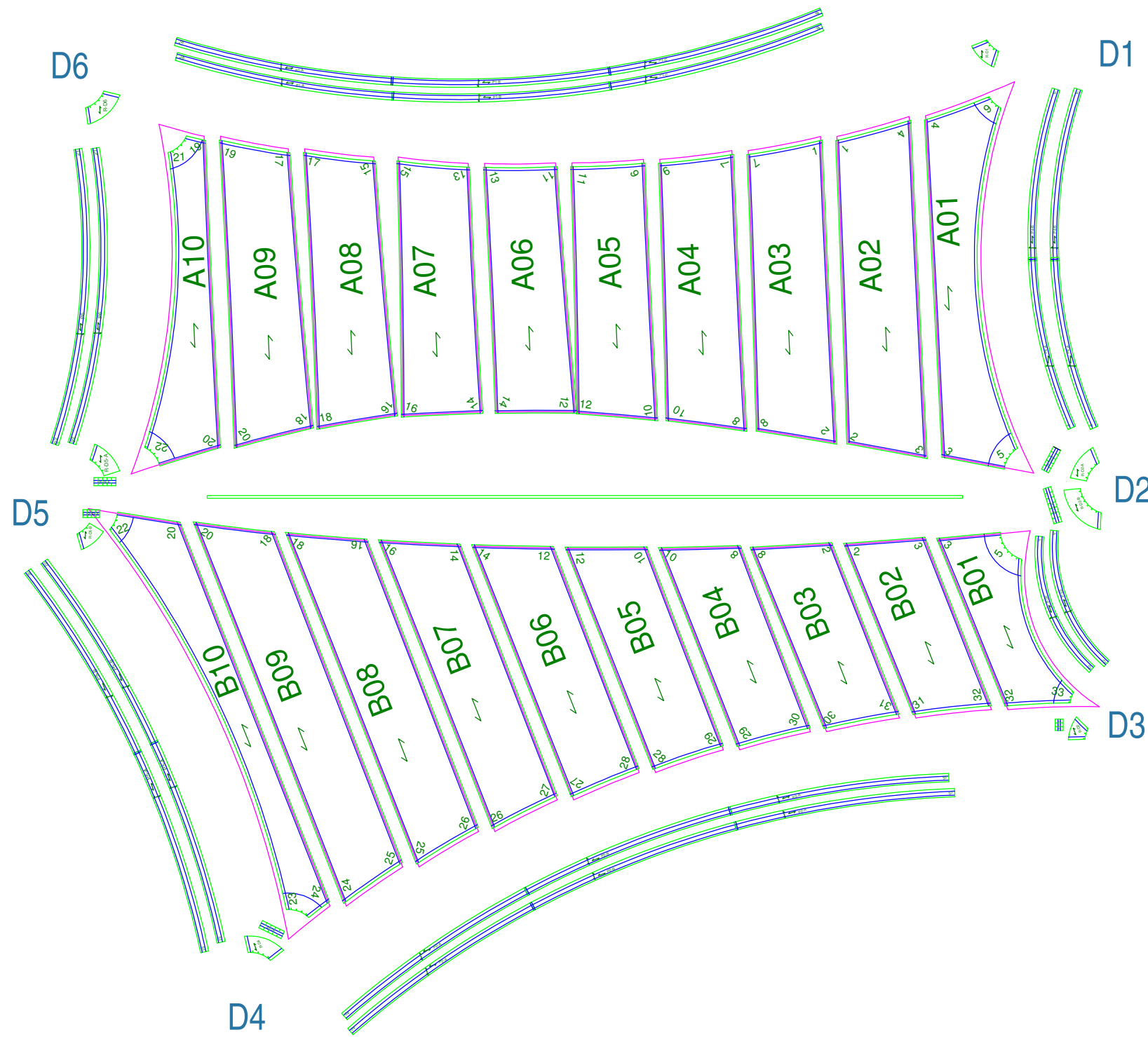


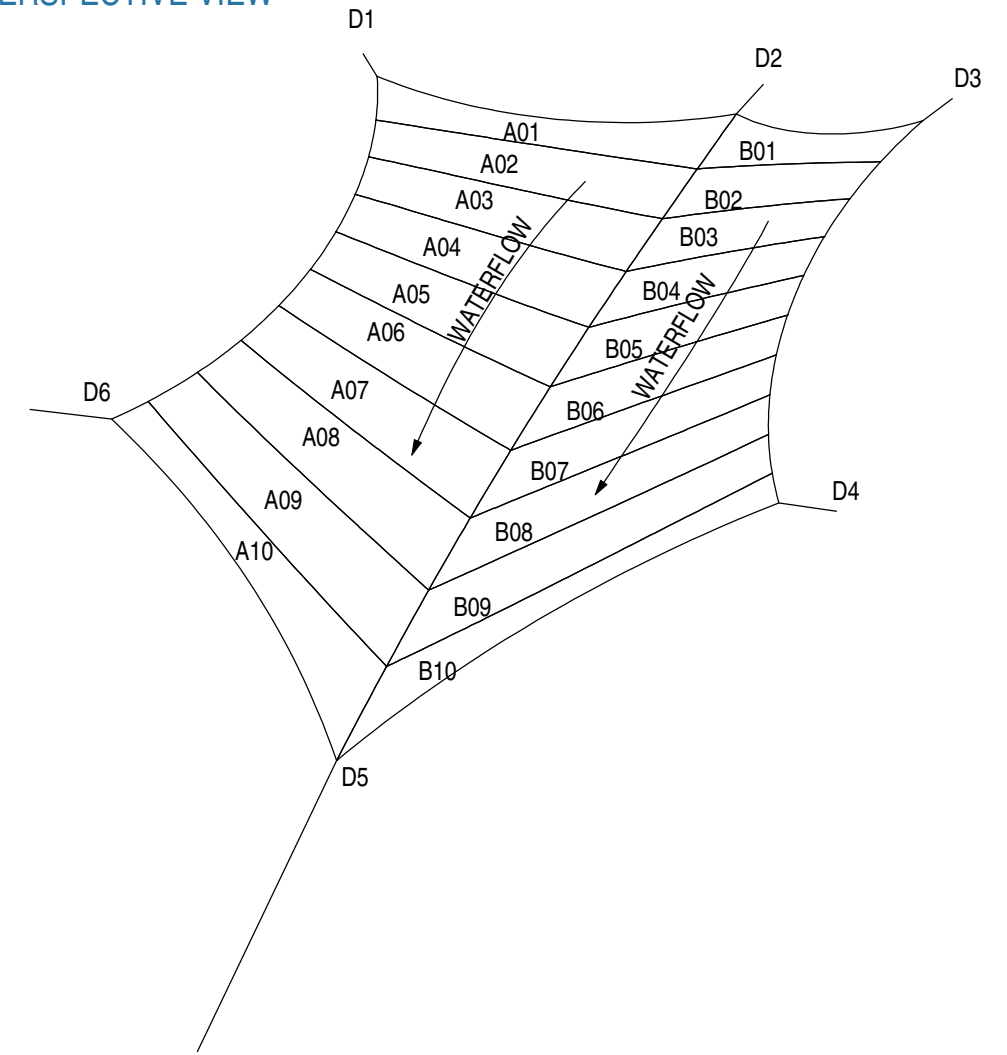
GENERAL OVERVIEW & PATTERN-LAYOUT

TOP VIEW
SCALE 1:100



WELDING SEAM LAYOUT AND PATTERNER-N-POSITION

PERSPECTIVE VIEW



MATERIAL: FERRARI FX701
 YARN: GLASS
 COATING: FLUOPOLYMER

TOTAL SURFACE AREA: 144,35 sqm

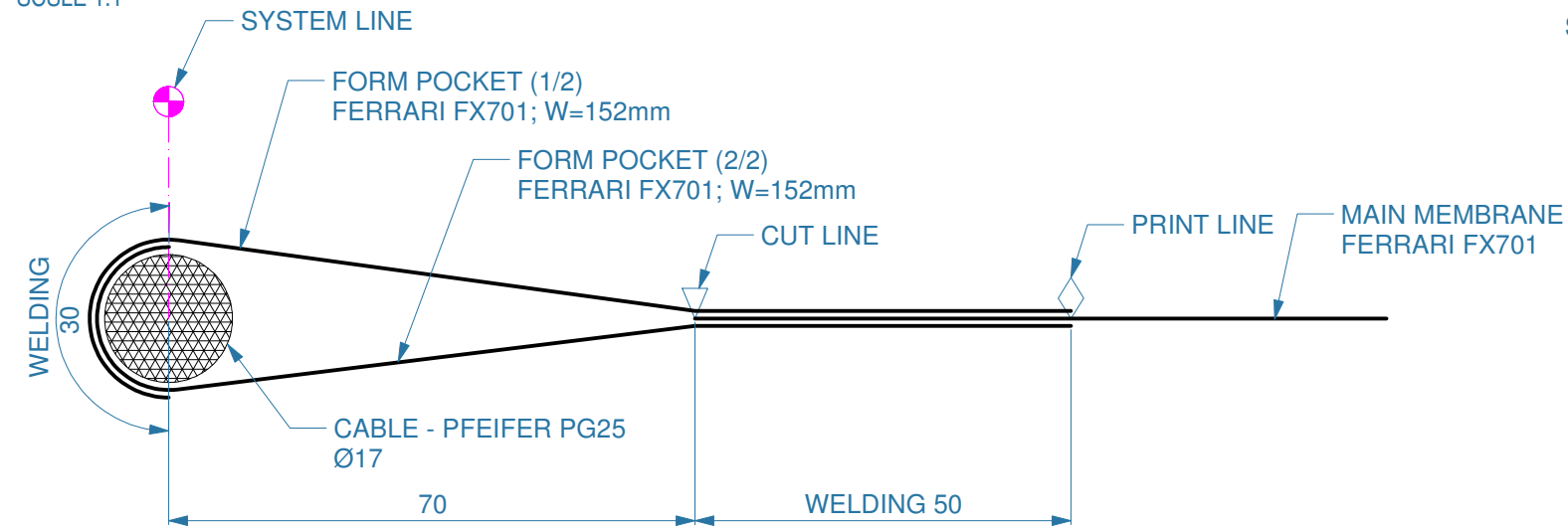
COMPENSATION IN WARP: 0,2%
 COMPENSATION IN WEFT: 0,3%

REV	CHANGE	DATE	DRAWN
2			
1	-	-	-

PROJECT:	MASTER THESIS PROJECT COURTYARD COVER	PROJECT N°:	MTP-ZS
DRAWING:	MEMBRANE GENERAL OVERVIEW	DRAWING N°:	SD-FB-G01
DRAWN:	ZOLTÁN SIMON	DATE:	01.03.2016
		SCALE:	N.T.S.
		SIZE:	A3

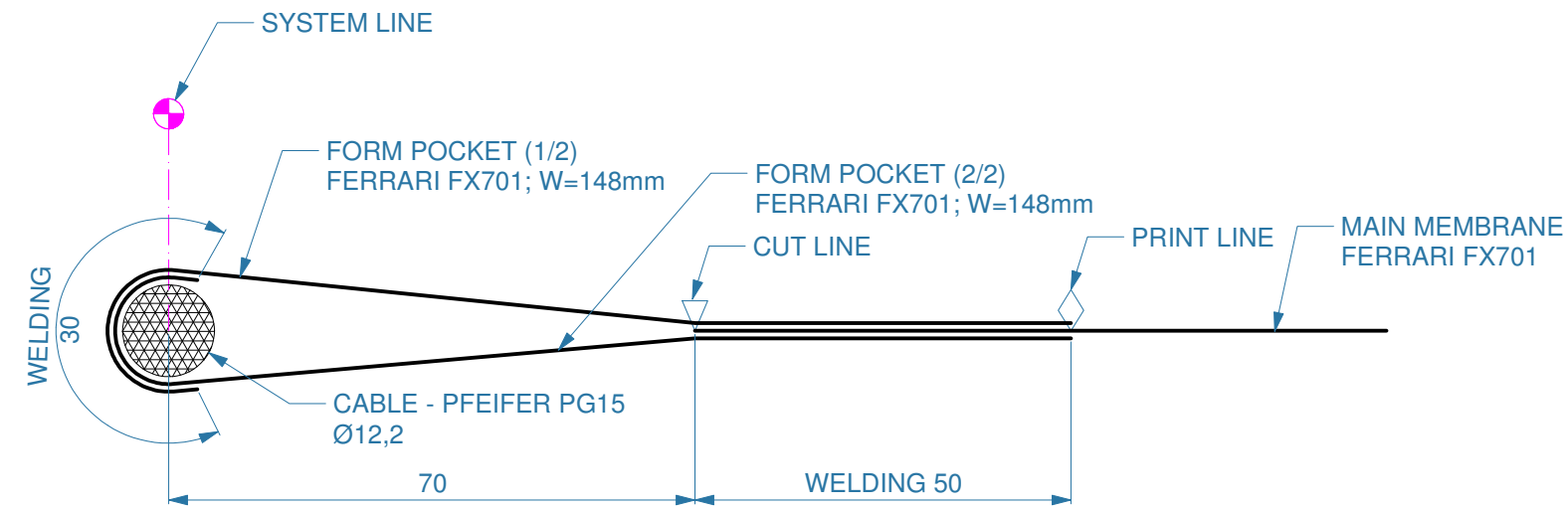
SECTION A1-A1

SCSLE 1:1



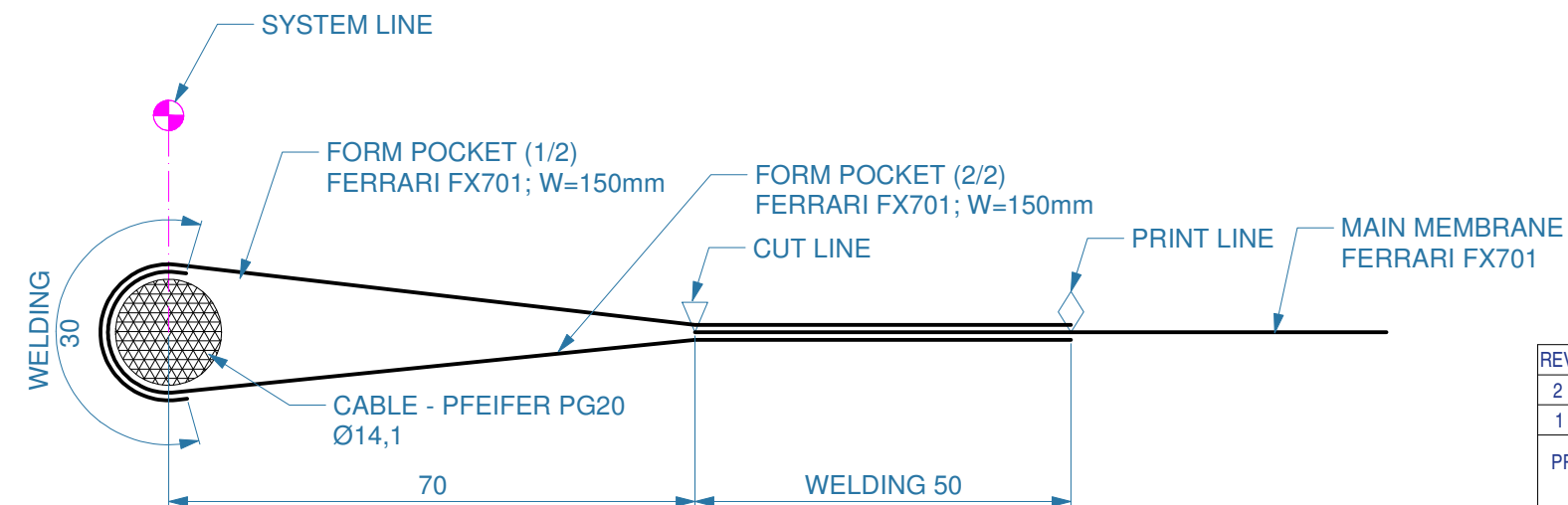
SECTION A2-A2

SCSLE 1:1



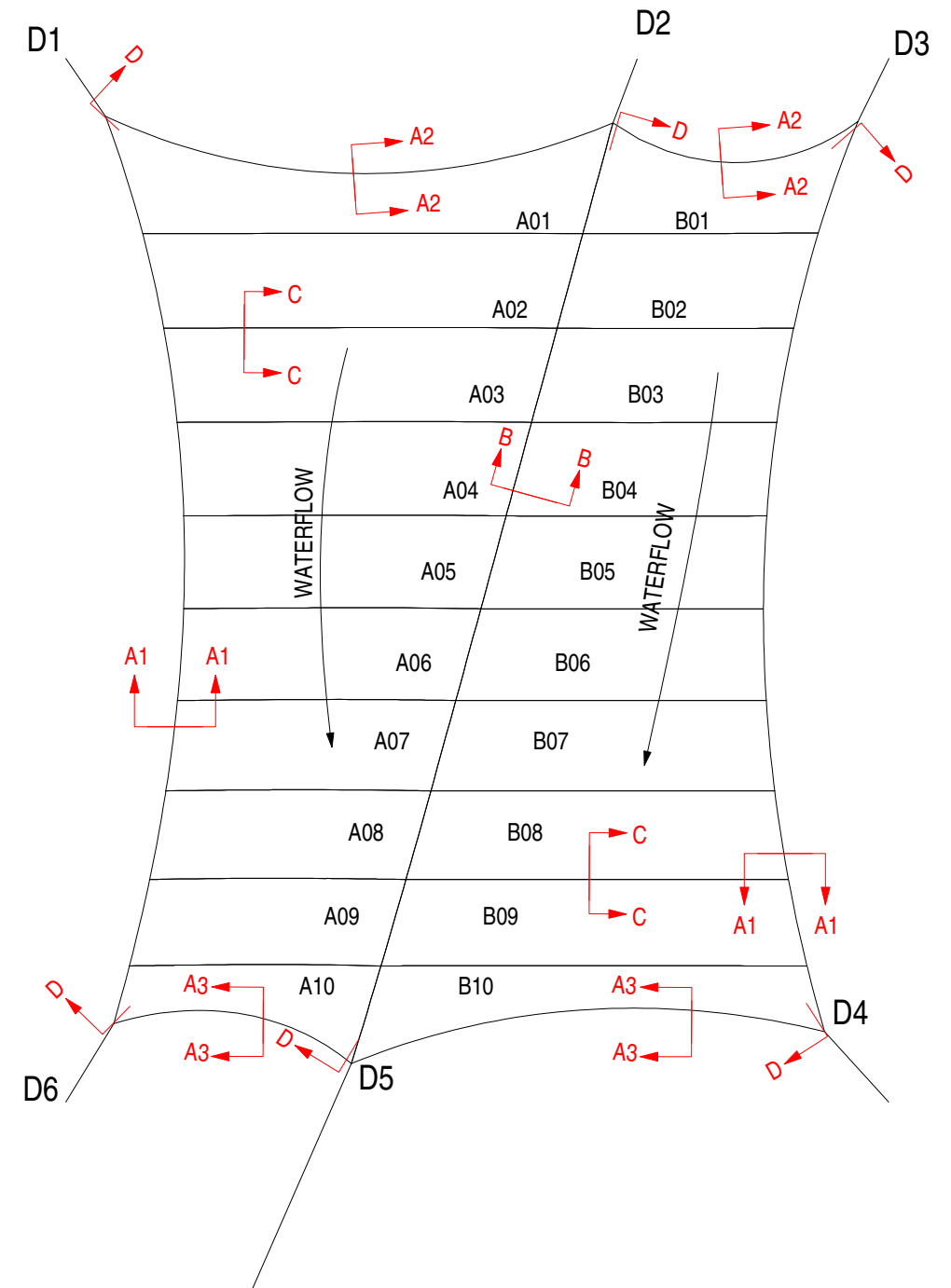
SECTION A3-A3

SCSLE 1:1



WELDING SEAM LAYOUT AND PATTERNERNS

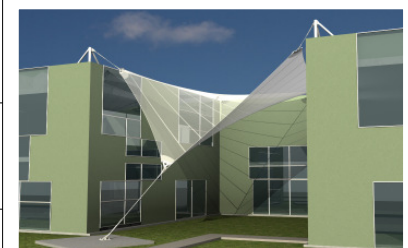
TOP VIEW
SCALE 1:1



C:\2_Simon_Zoltán\Diplomamunka\work\MEMBRANE\160225_patterning.sdm

REV	CHANGE	DATE	DRAWN
2			
1	-	-	-

PROJECT: MASTER THESIS PROJECT COURTYARD COVER		PROJECT N°: MTP-ZS	
DRAWING: MEMBRANE FABRICATION DETAILS 01		DRAWING N°: SD-FB-D01	REV: -
DRAWN: ZOLTÁN SIMON	DATE: 01.03.2016	SCALE: N.T.S.	SIZE: A3

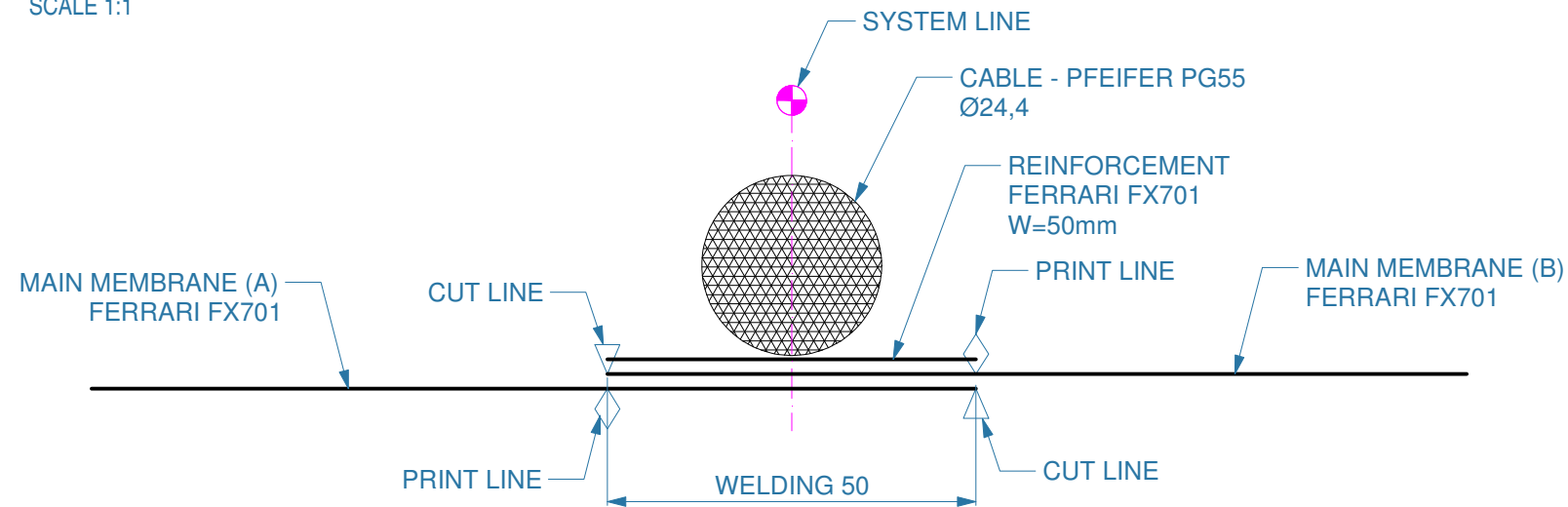


WELDING SEAM LAYOUT AND PATTERNERNS

TOP VIEW
SCALE 1:1

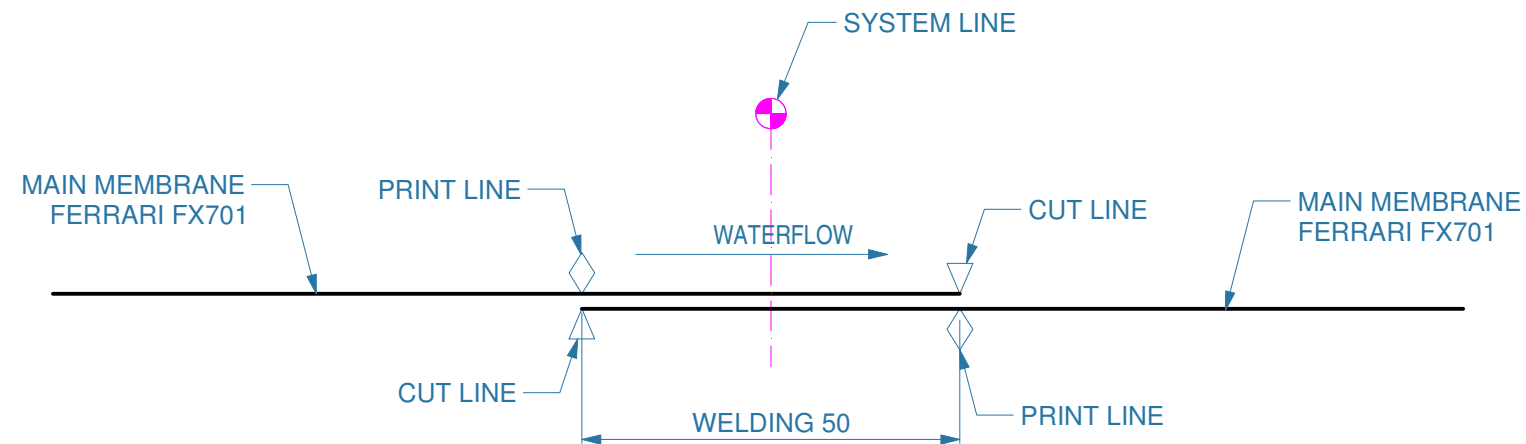
SECTION B-B

SCALE 1:1



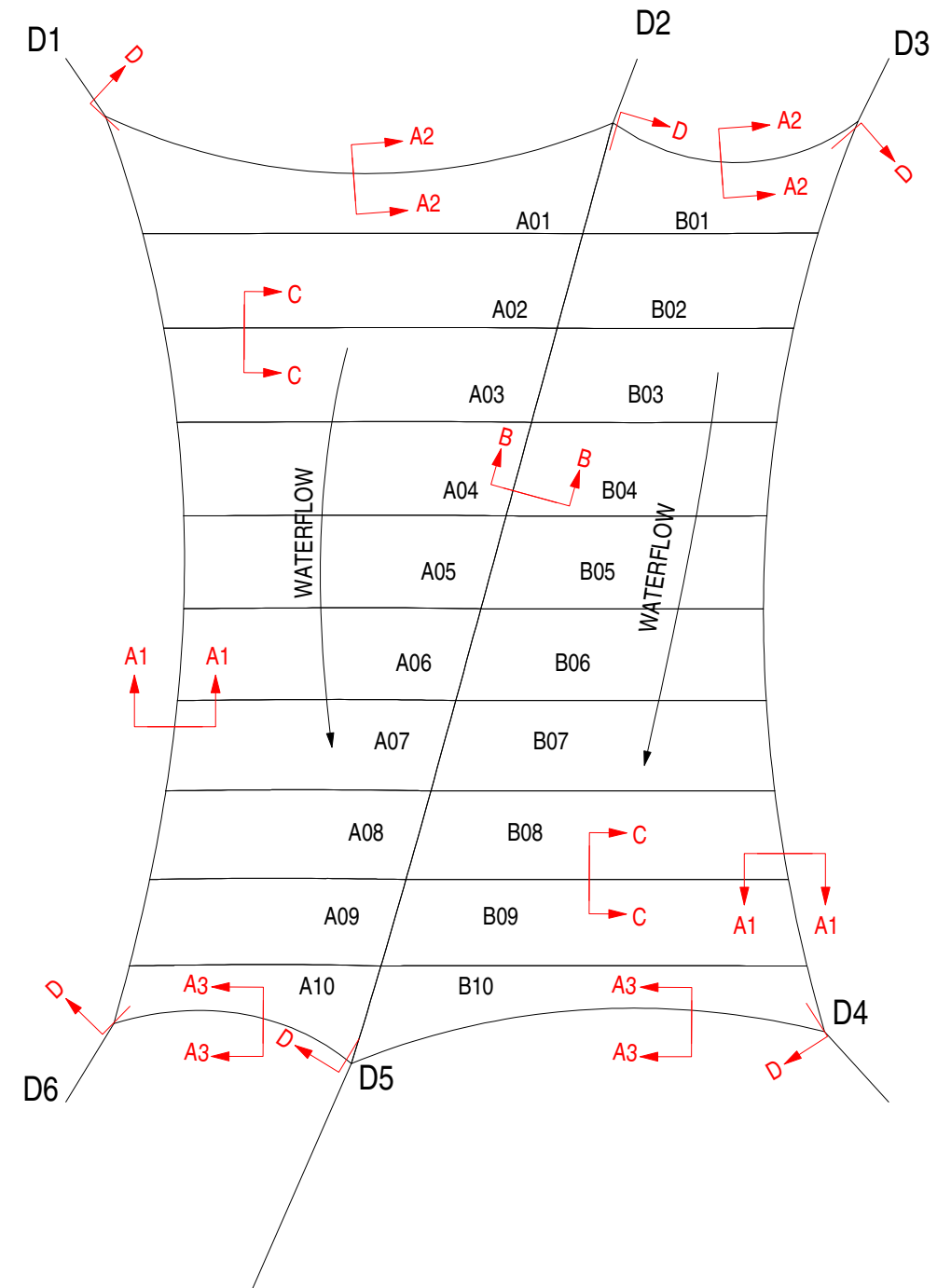
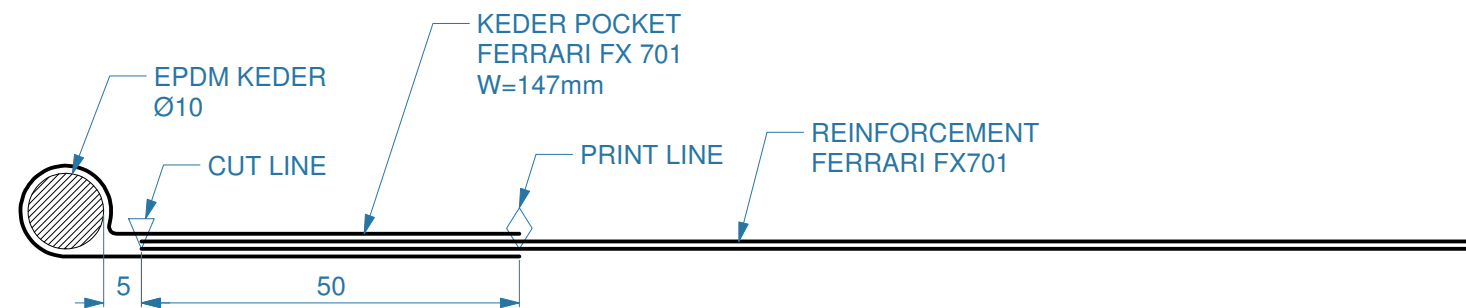
SECTION C-C

SCALE 1:1



SECTION D-D

SCALE 1:1



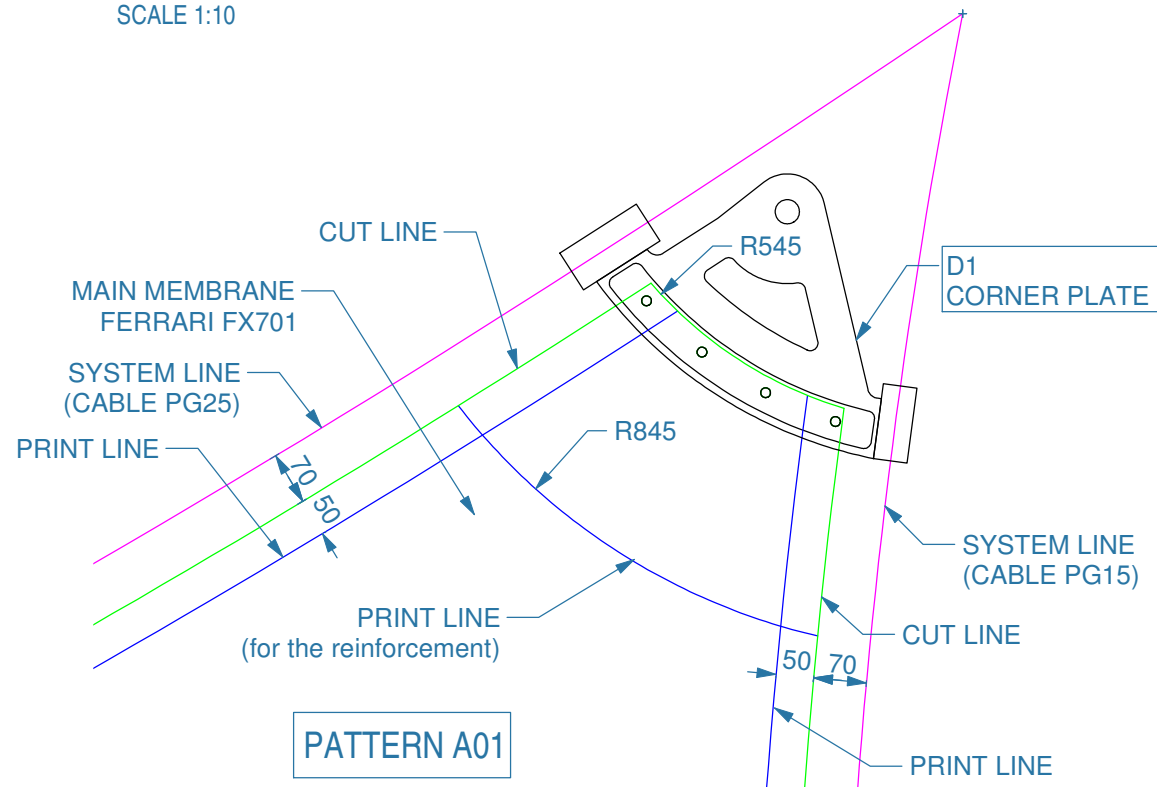
REV	CHANGE	DATE	DRAWN
2			
1	-	-	-

PROJECT:	MASTER THESIS PROJECT COURTYARD COVER	PROJECT N°:	MTP-ZS
DRAWING:	MEMBRANE FABRICATION DETAILS 02	DRAWING N°:	SD-FB-D02
DRAWN:	ZOLTÁN SIMON	DATE:	01.03.2016
		SCALE:	N.T.S.
		REV:	-
		SIZE:	A3



CORNER D1
A01 PATTERN WITH CORNER PLATE

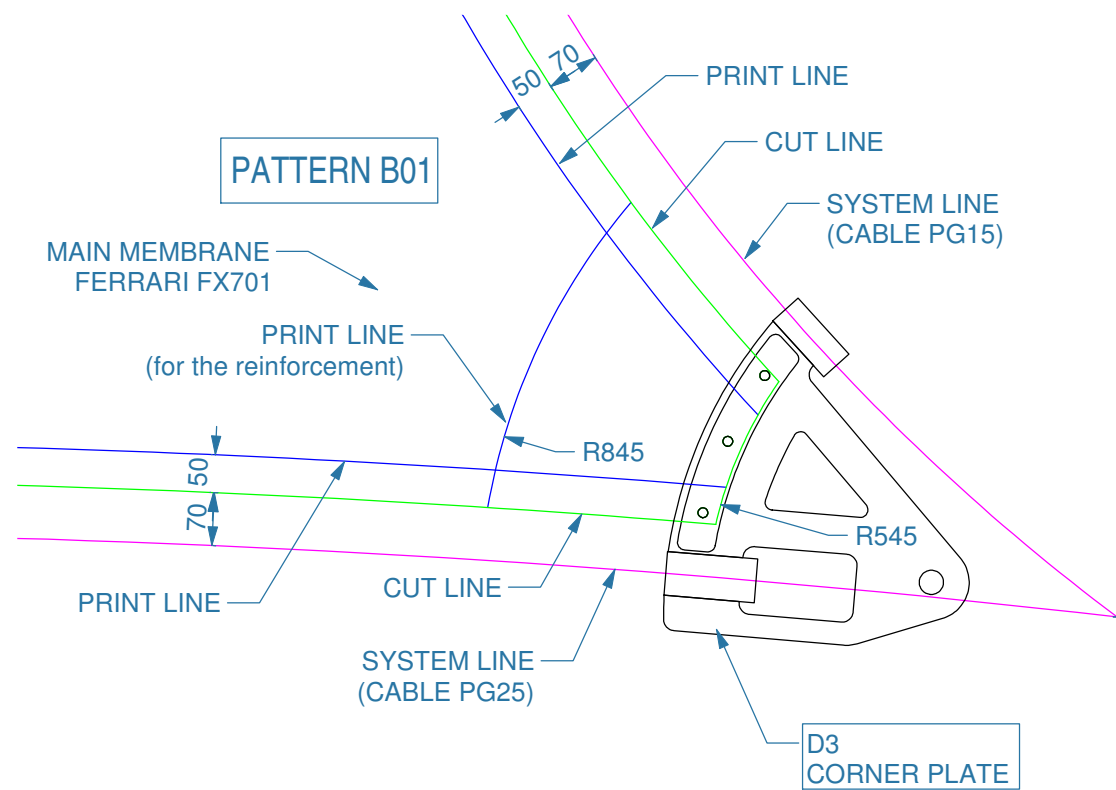
SCALE 1:10



PATTERN A01

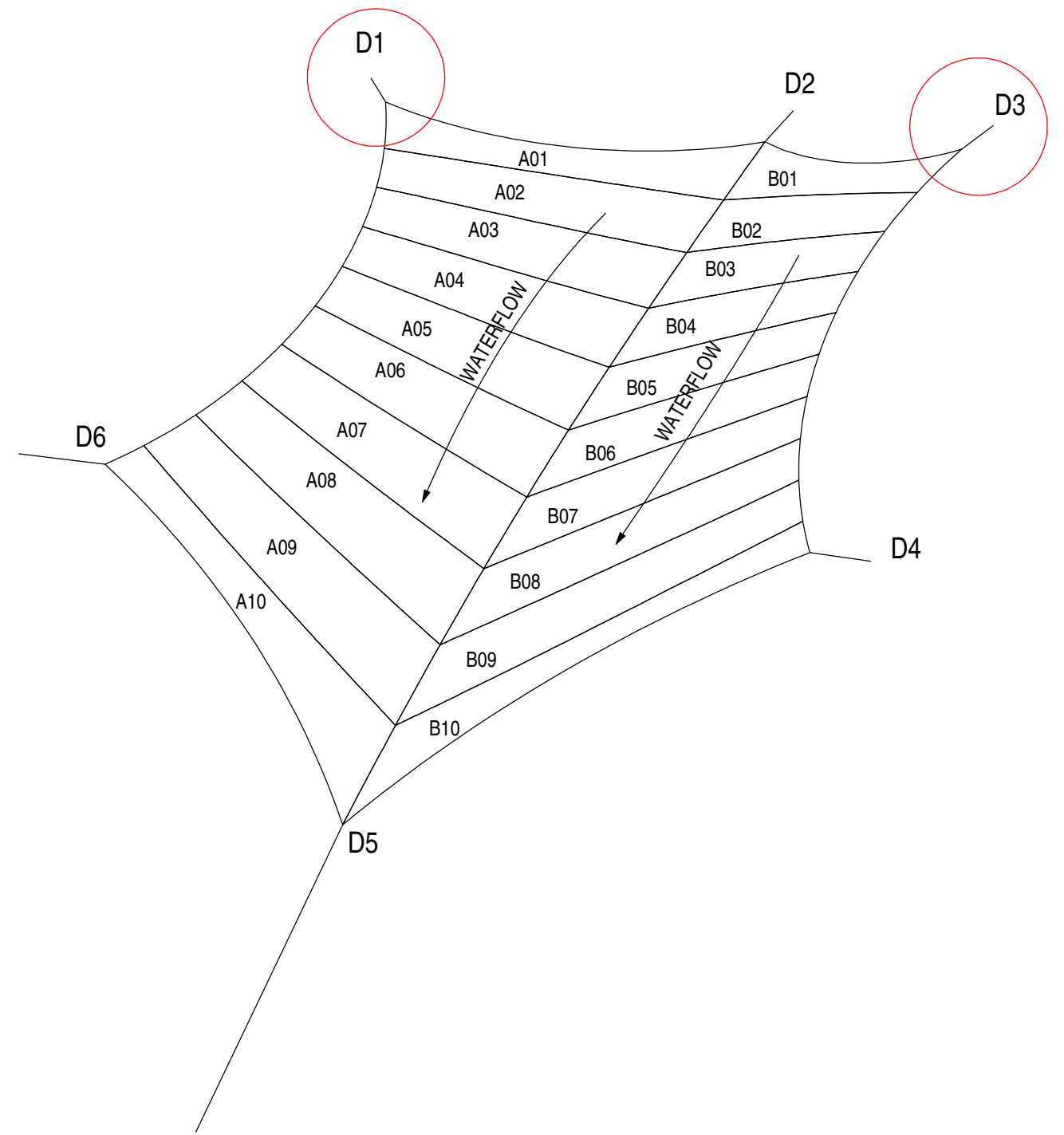
CORNER D3
B01 PATTERN WITH CORNER PLATE

SCALE 1:10



PATTERN B01

WELDING SEAM LAYOUT AND PATTERNERSNS



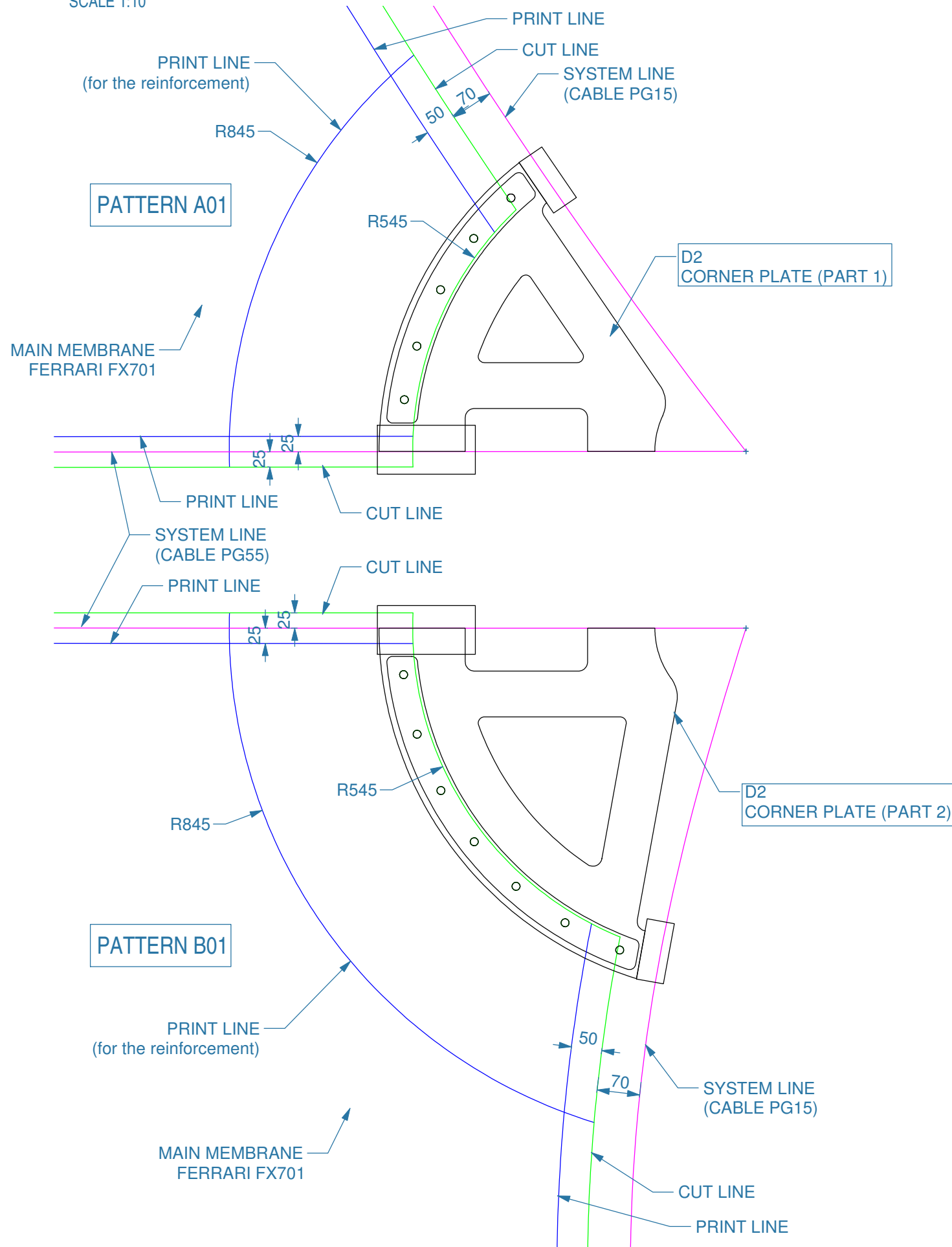
REV	CHANGE	DATE	DRAWN
2			
1	-	-	-

PROJECT:	MASTER THESIS PROJECT COURTYARD COVER	PROJECT N°:	MTP-ZS
DRAWING:	MEMBRANE CORNER 01 (D1;D3)	DRAWING N°:	SD-FB-C01
DRAWN:	ZOLTÁN SIMON	DATE:	01.03.2016
		SCALE:	N.T.S.
		REV:	-
		SIZE:	A3

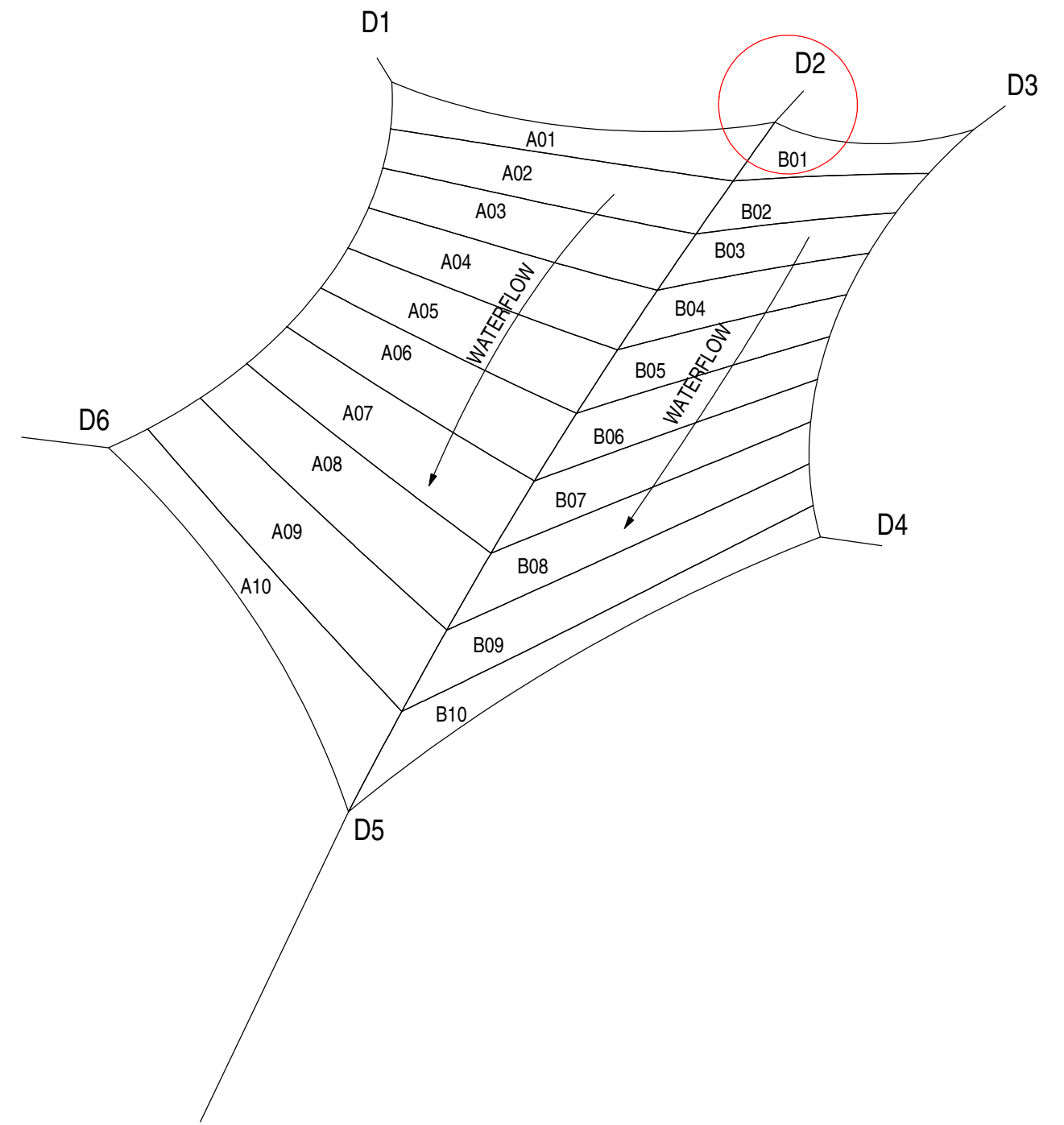


CORNER D2
A01 & B01 PATTERNS WITH CORNER PLATES (2 PARTS SEPARATED)

SCALE 1:10




WELDING SEAM LAYOUT AND PATTERNERSNS



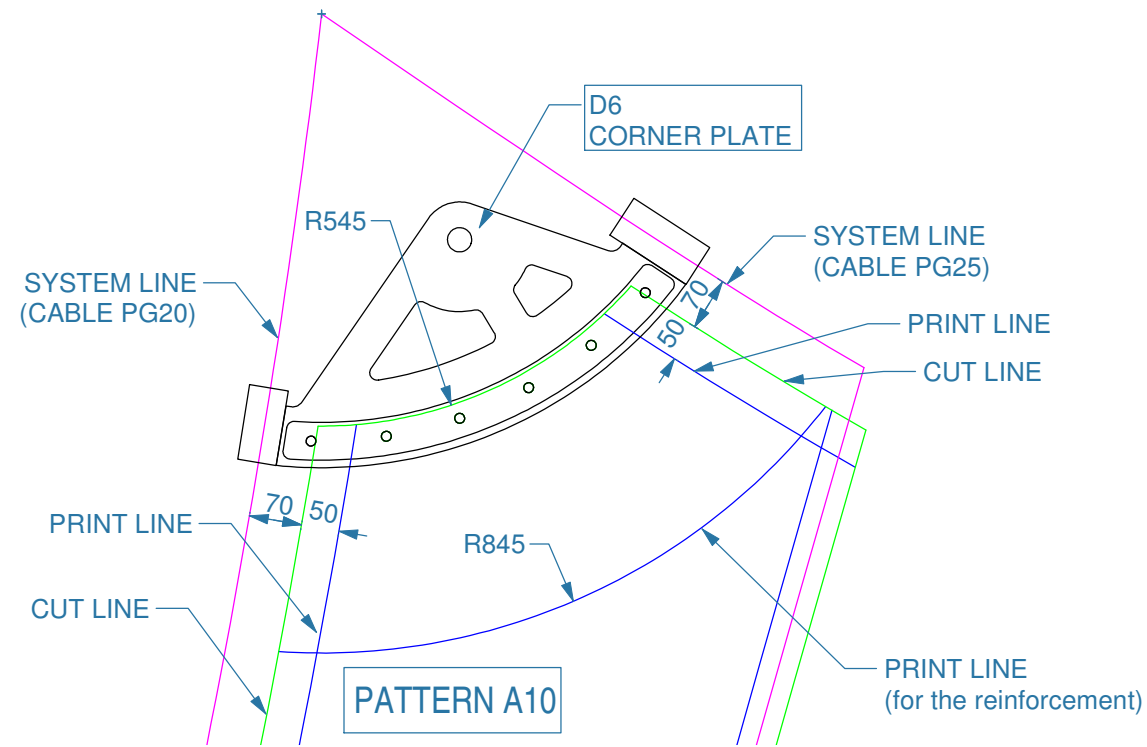
REV	CHANGE	DATE	DRAWN
2			
1	-	-	-

PROJECT:	MASTER THESIS PROJECT COURTYARD COVER	PROJECT N°:	MTP-ZS
DRAWING:	MEMBRANE CORNER 02 (D2)	DRAWING N°:	SD-FB-C02
DRAWN:	ZOLTÁN SIMON	DATE:	01.03.2016
		SCALE:	N.T.S.
		SIZE:	A3



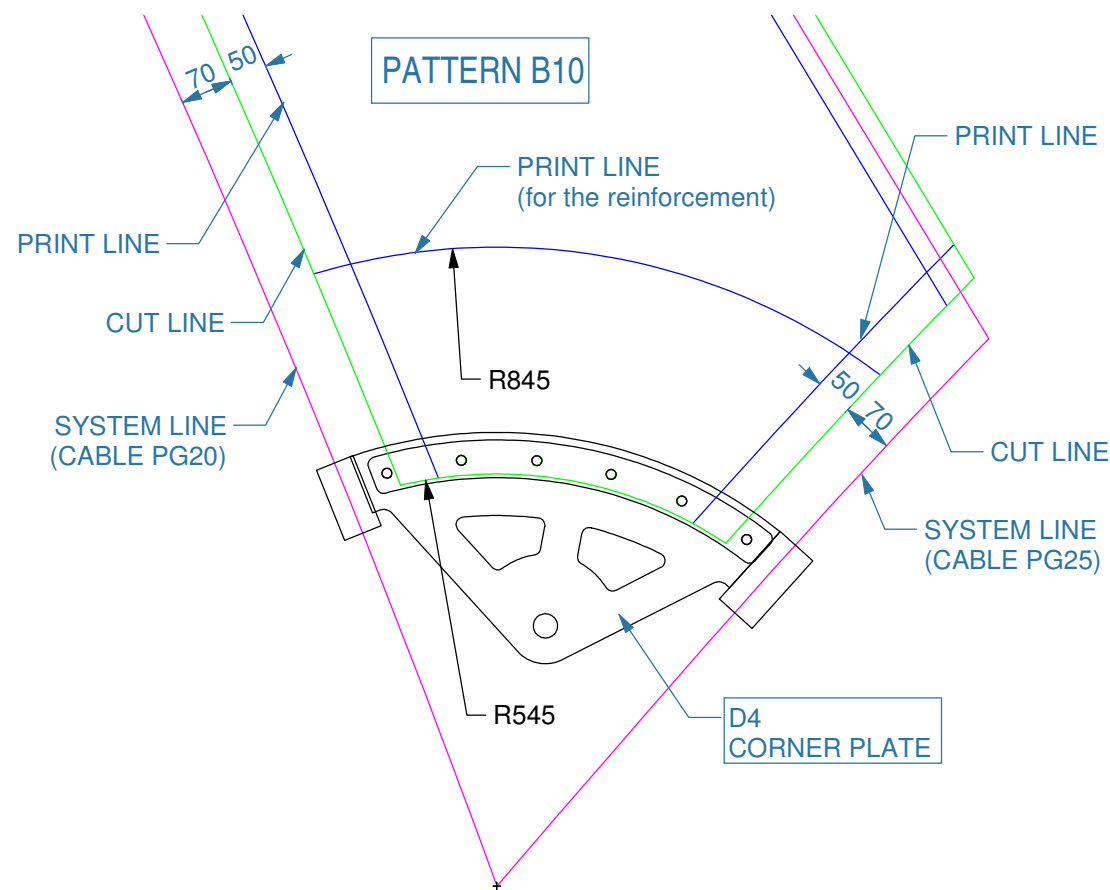
CORNER D6
A10 PATTERN WITH CORNER PLATE

SCALE 1:10

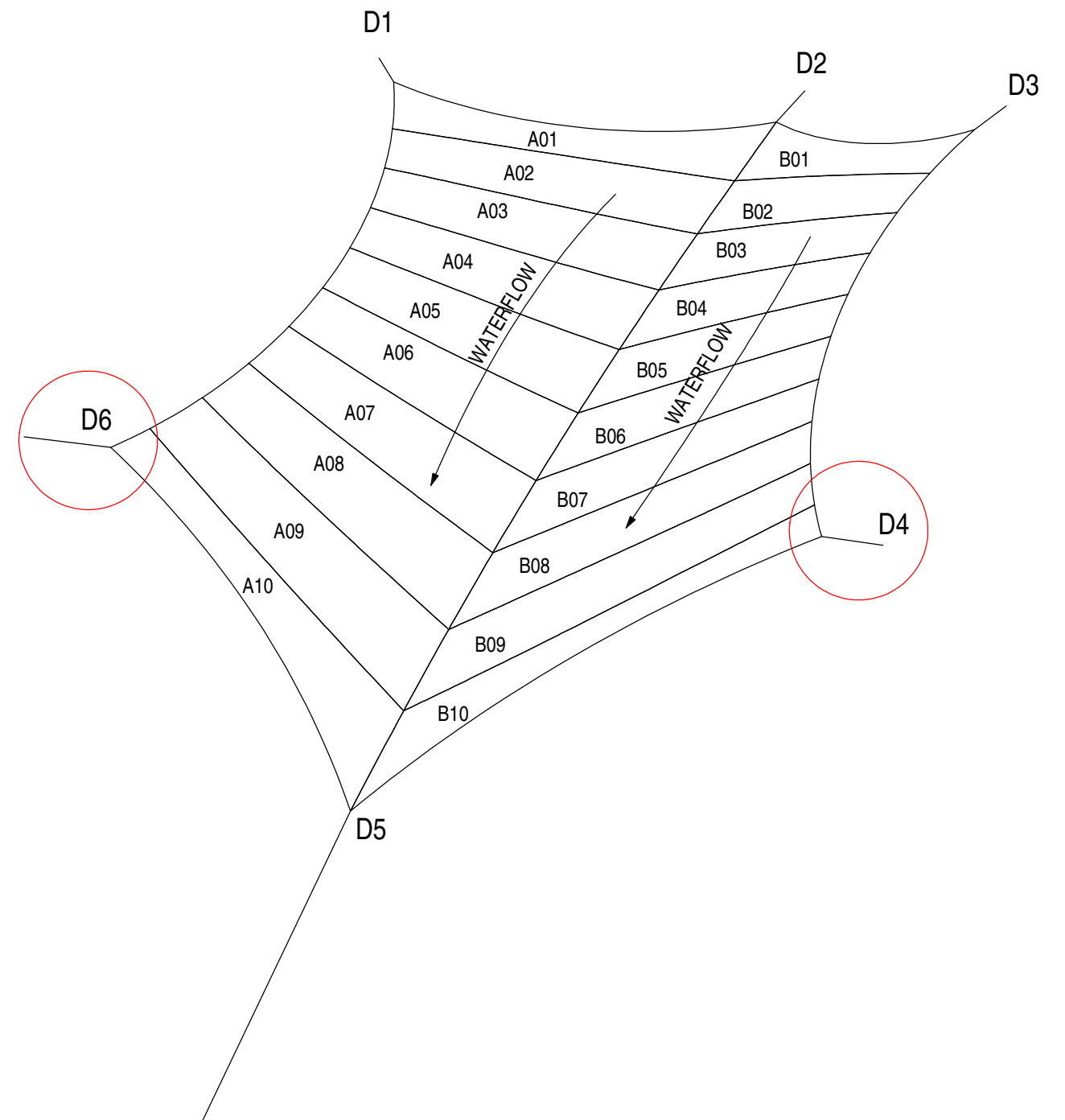


CORNER D4
B10 PATTERN WITH CORNER PLATE

SCALE 1:10



WELDING SEAM LAYOUT AND PATTERNERNS



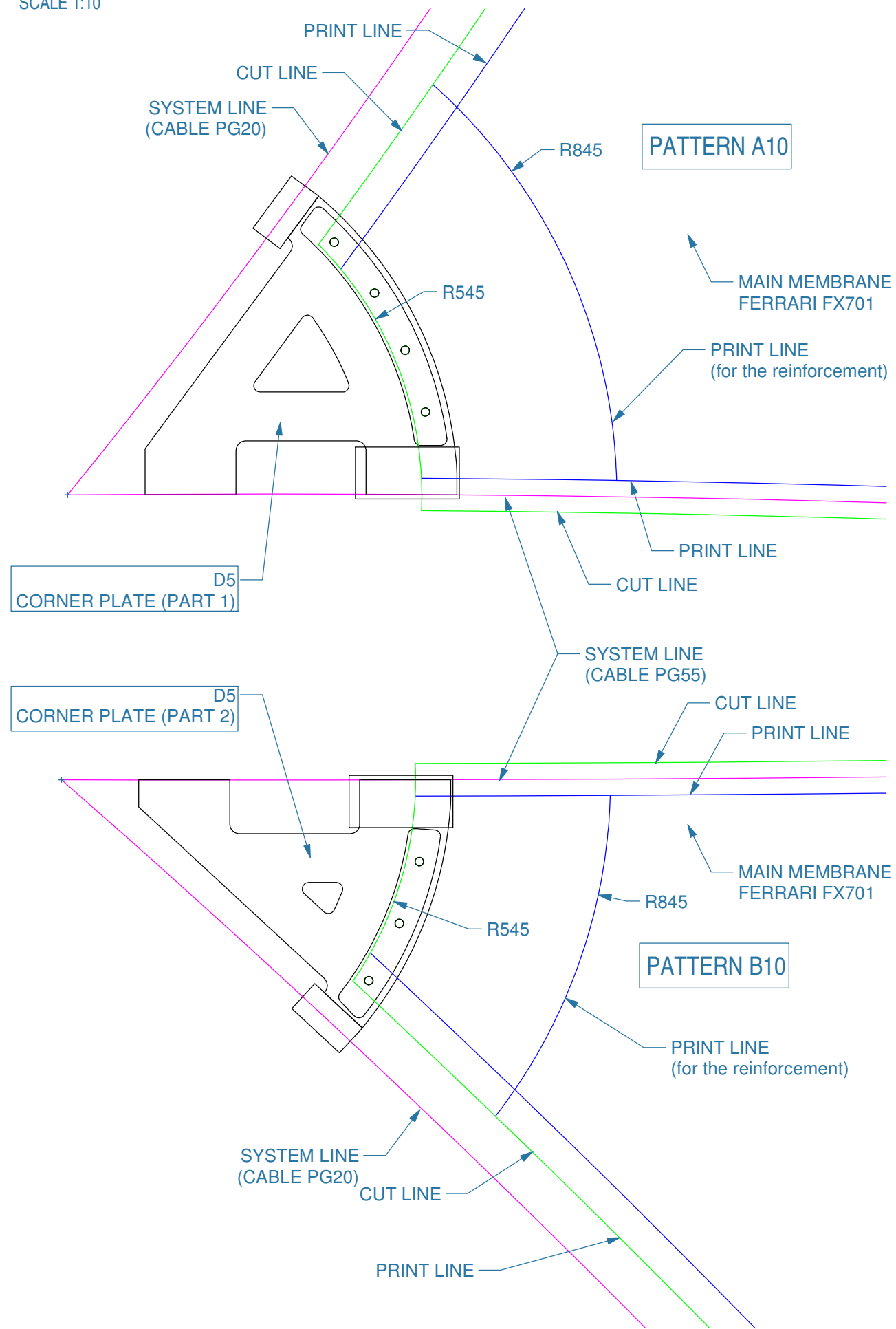
REV	CHANGE	DATE	DRAWN
2			
1	-	-	-

PROJECT:	MASTER THESIS PROJECT COURTYARD COVER	PROJECT N°:	MTP-ZS
DRAWING:	MEMBRANE CORNER 03 (D4;D6)	DRAWING N°:	SD-FB-C03
DRAWN:	ZOLTÁN SIMON	DATE:	01.03.2016
		SCALE:	N.T.S.
		REV:	-
		SIZE:	A3

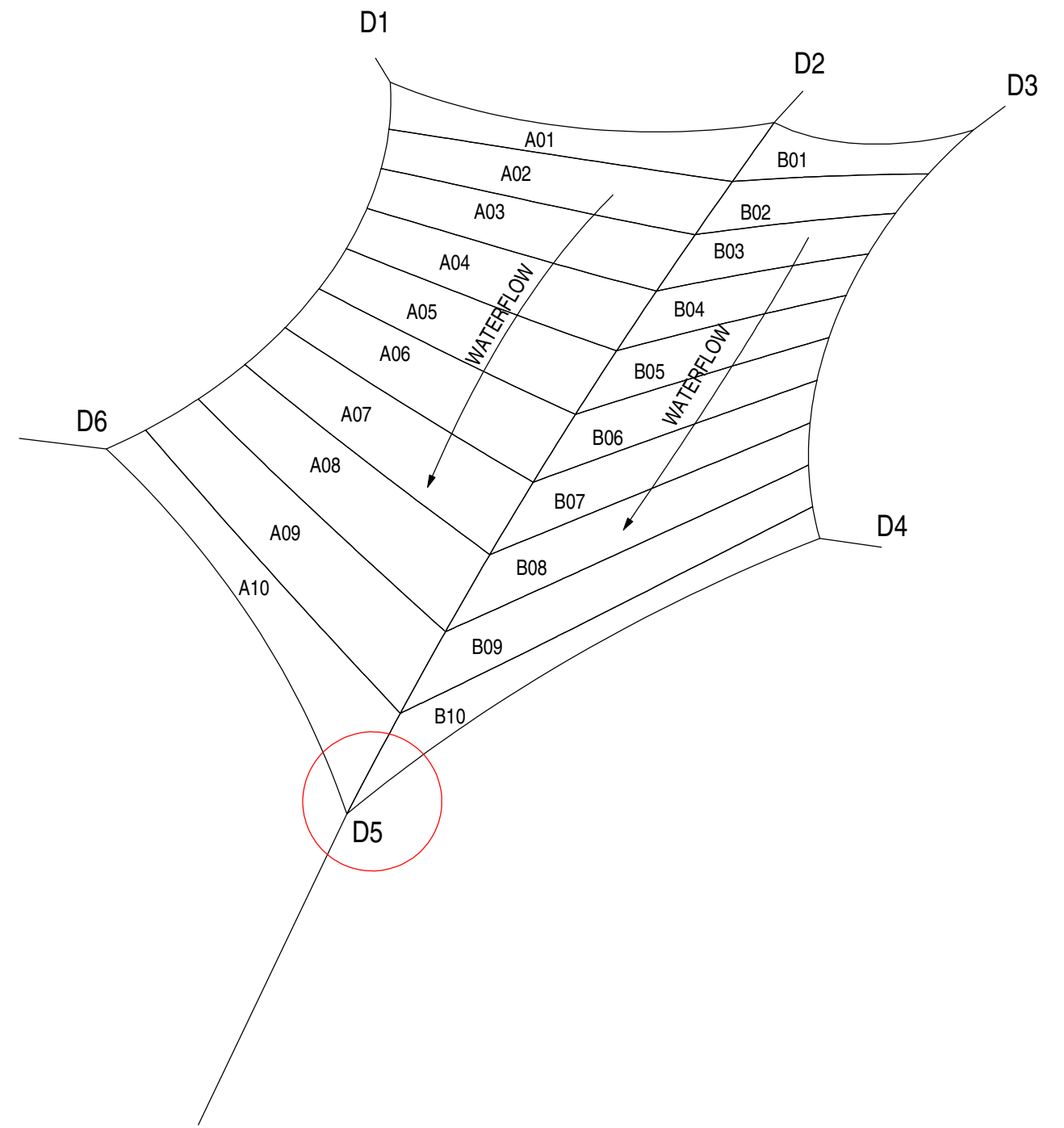


CORNER D5
A10 & B10 PATTERNS WITH CORNER PLATES (2 PARTS SEPARATED)

SCALE 1:10

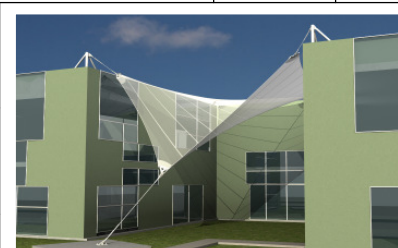


WELDING SEAM LAYOUT AND PATTERNERNS



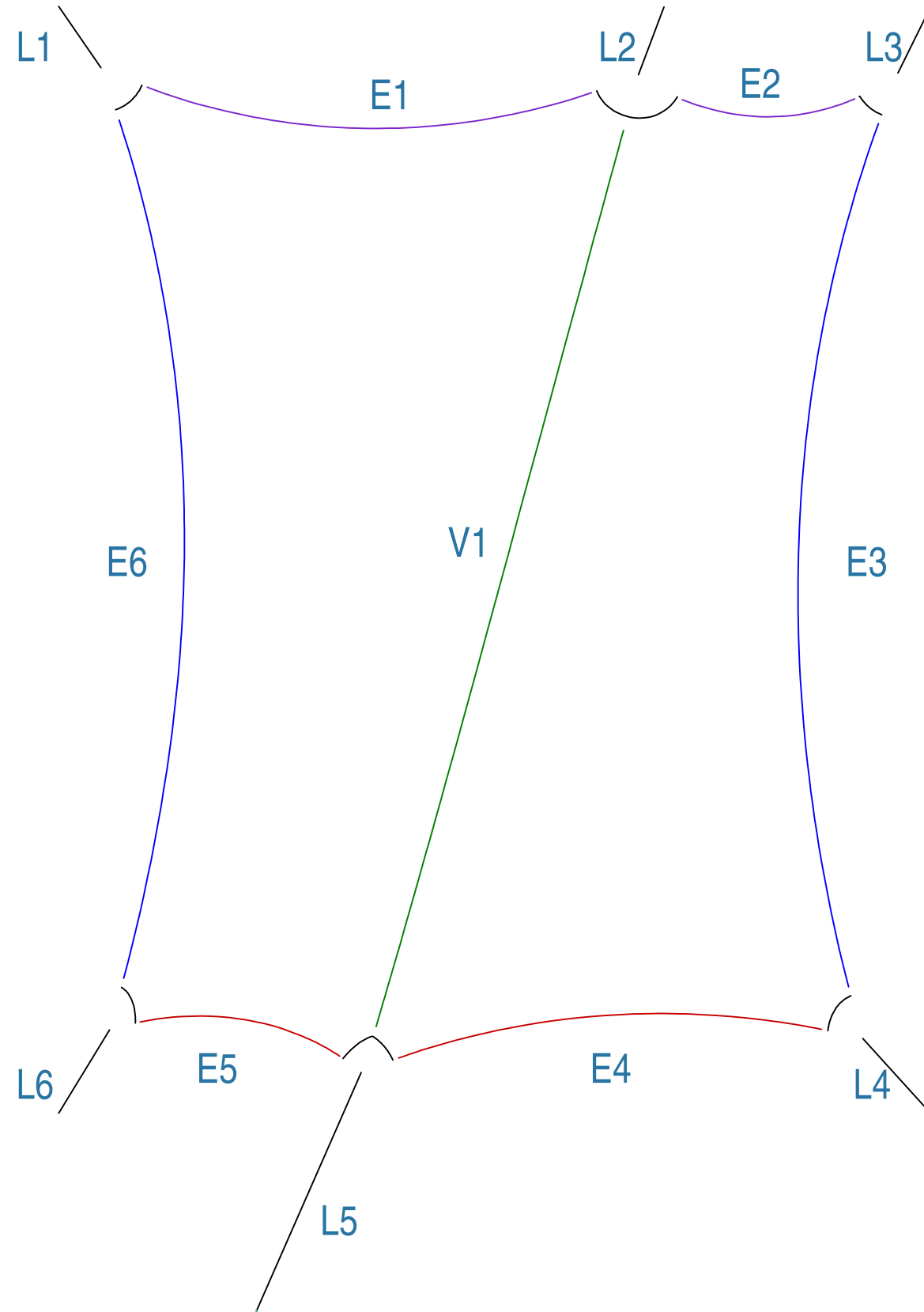
REV	CHANGE	DATE	DRAWN
2			
1	-	-	-

PROJECT:	MASTER THESIS PROJECT COURTYARD COVER	PROJECT N°:	MTP-ZS
DRAWING:	MEMBRANE CORNER 04 (D5)	DRAWING N°:	SD-FB-C04
DRAWN:	ZOLTÁN SIMON	DATE:	01.03.2016
		SCALE:	N.T.S.
		SIZE:	A3

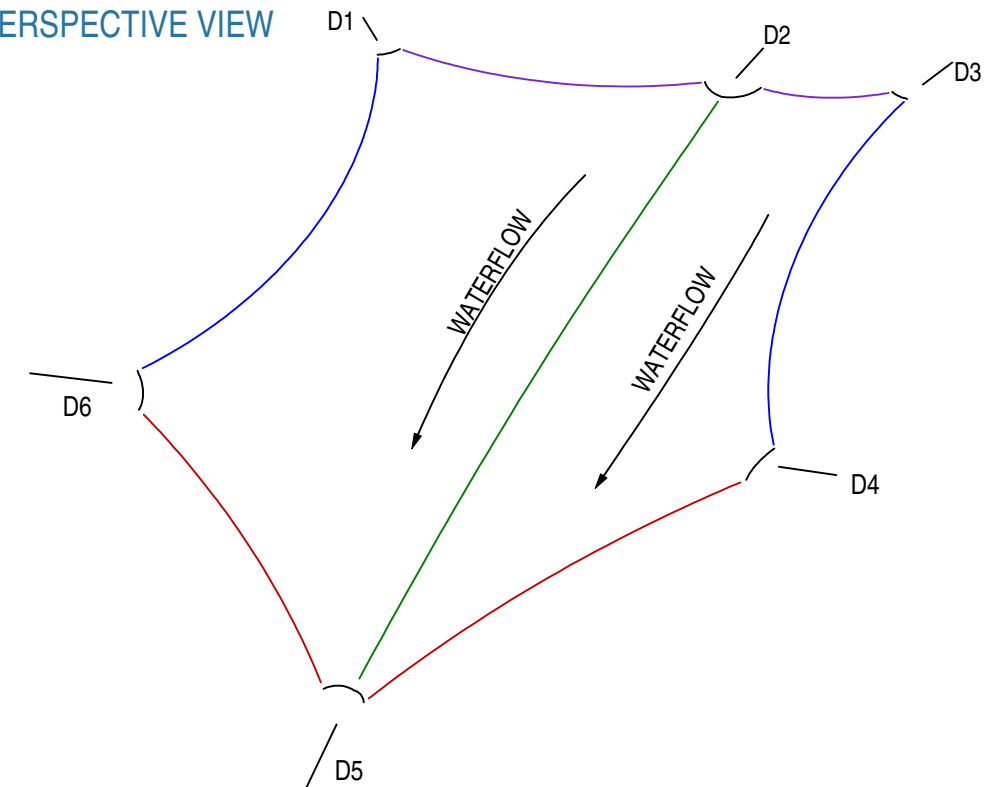


CABLE NAMES AND POSITIONS; GENERAL OVERVIEW

TOP VIEW
SCALE 1:80




PERSPECTIVE VIEW



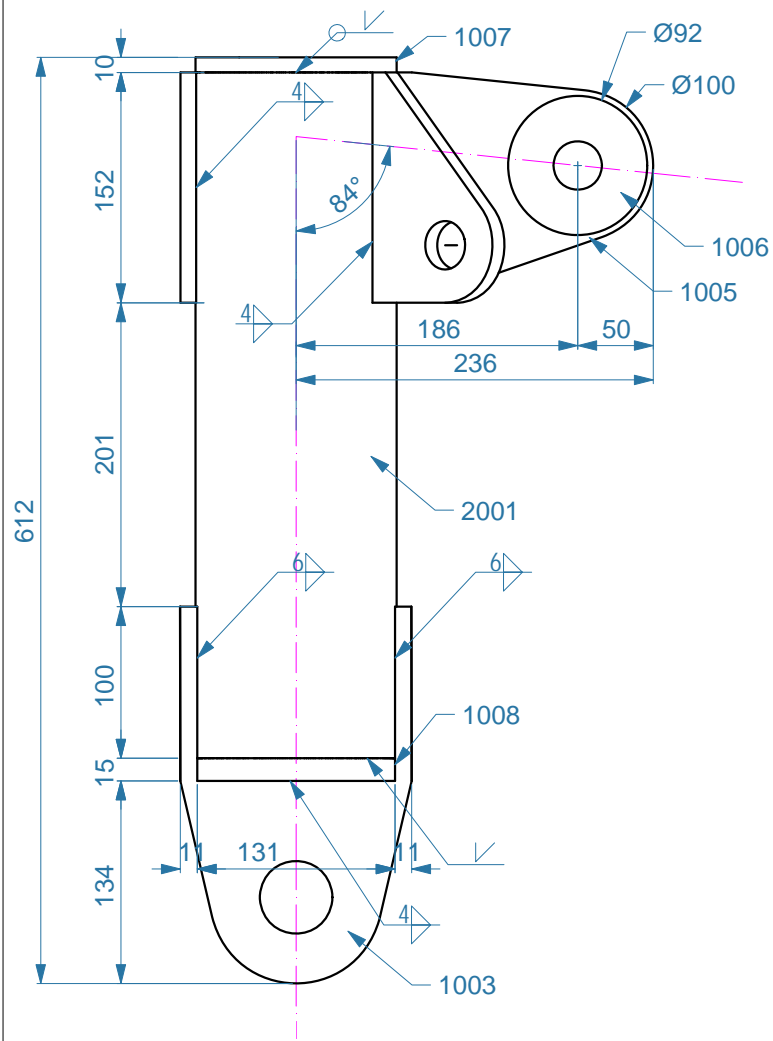
POS	SUPPLIER	TYPE	LENGTH [m]	Pretension [kN]	START FITTING	END FITTING
E1	PFEIFER	PG15	7,43	10,21	PG988	PG988
E2	PFEIFER	PG15	3,73	3,44	PG988	PG988
E4	PFEIFER	PG20	8,82	20,91	PG988	PG988
E5	PFEIFER	PG20	6,53	13,95	PG988	PG988
E3	PFEIFER	PG25	12,97	21,59	PG988	PG988
E6	PFEIFER	PG25	13,15	21,59	PG988	PG988
L1	PFEIFER	PG40	1	28,87	PG980	PG980
L3	PFEIFER	PG40	1	24,21	PG980	PG980
L4	PFEIFER	PG40	1,5	35,43	PG980	PG984
L6	PFEIFER	PG40	1,5	29,72	PG980	PG984
L2	PFEIFER	PG55	1	50,35	PG980	PG980
V1	PFEIFER	PG55	14,99	43,55	PG988	PG988
L5	PFEIFER	PG75	4,9	68,48	PG980	PG984
B1	PFEIFER	PG75	1,89	47	PG980	PG980
B2	PFEIFER	PG75	1,89	55	PG980	PG980

REV	CHANGE	DATE	DRAWN
2			
1	-	-	-

PROJECT: MASTER THESIS PROJECT COURTYARD COVER		PROJECT N°: MTP-ZS		
DRAWING: CABLES GENERAL OVERVIEW		DRAWING N°: SD-CB-G01	REV: -	
DRAWN: ZOLTÁN SIMON	DATE: 01.03.2016	SCALE: N.T.S.	SIZE: A3	

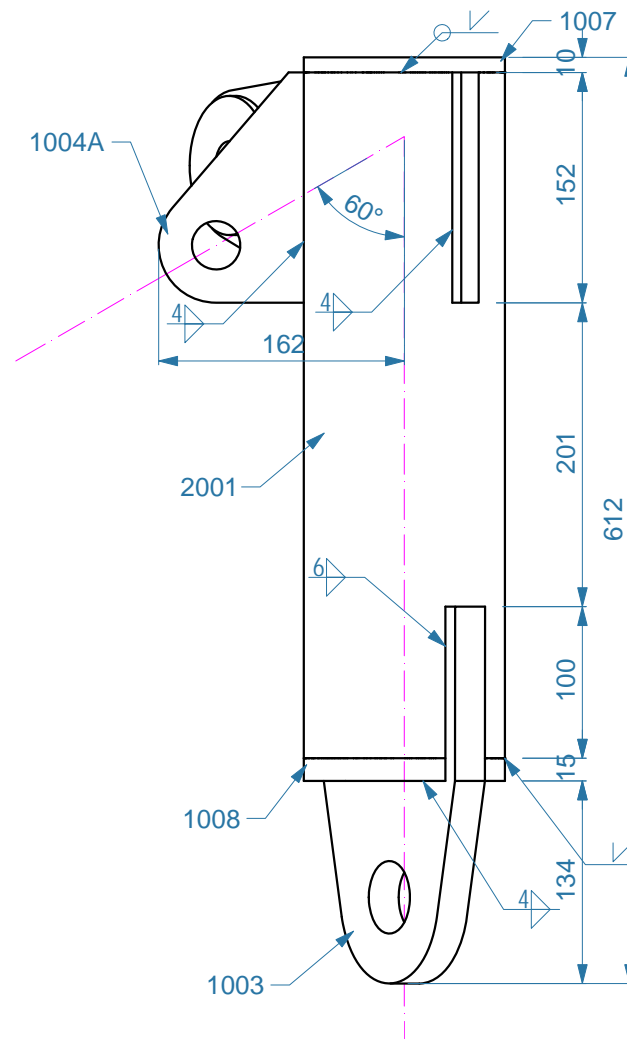
A-A VIEW

SCALE 1:5



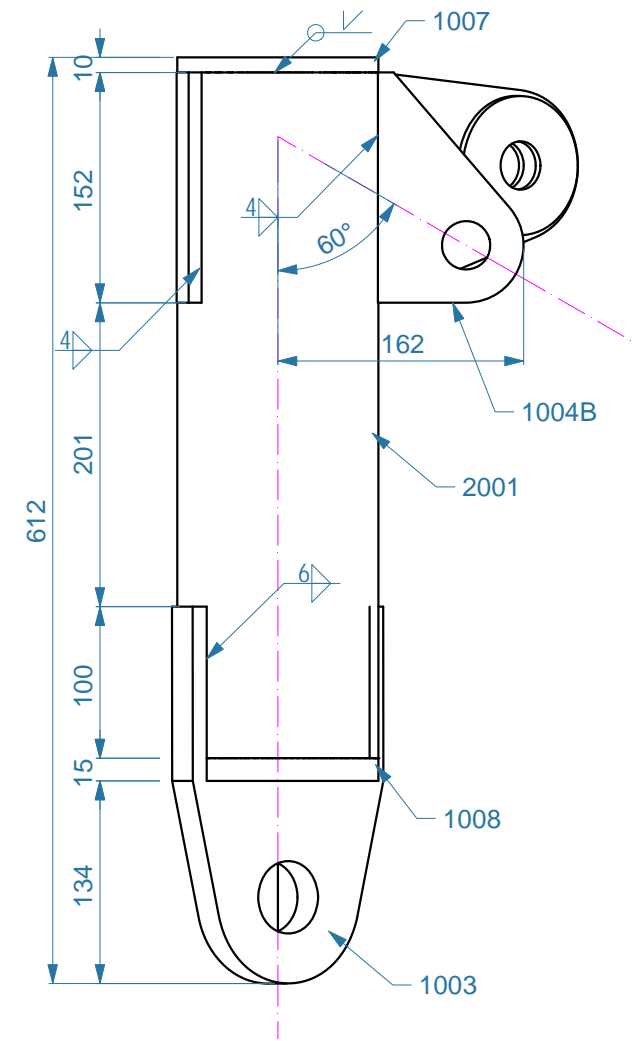
B-B VIEW

SCALE 1:5

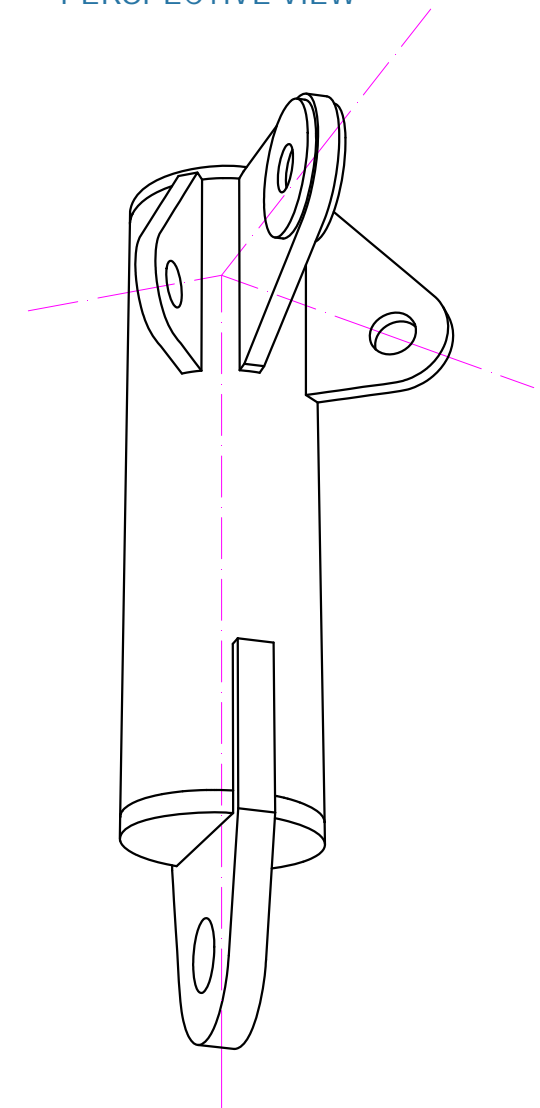


C-C VIEW

SCALE 1:5

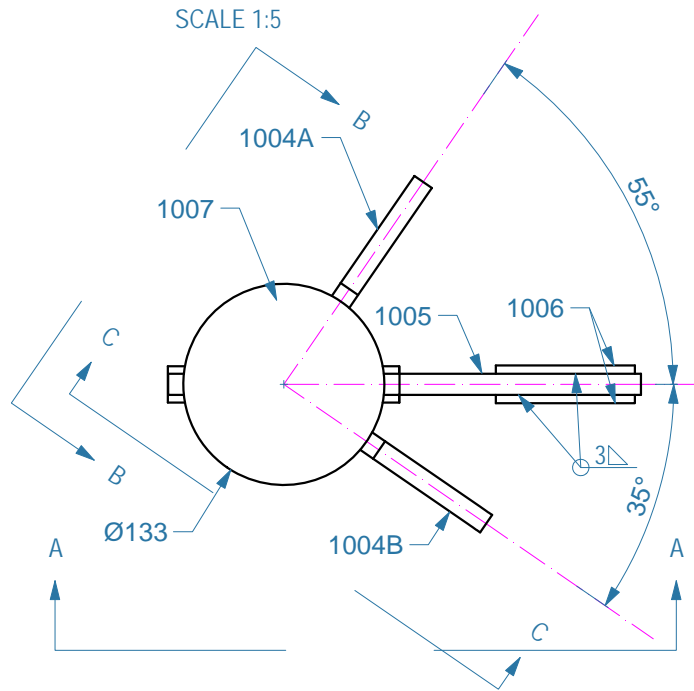


PERSPECTIVE VIEW



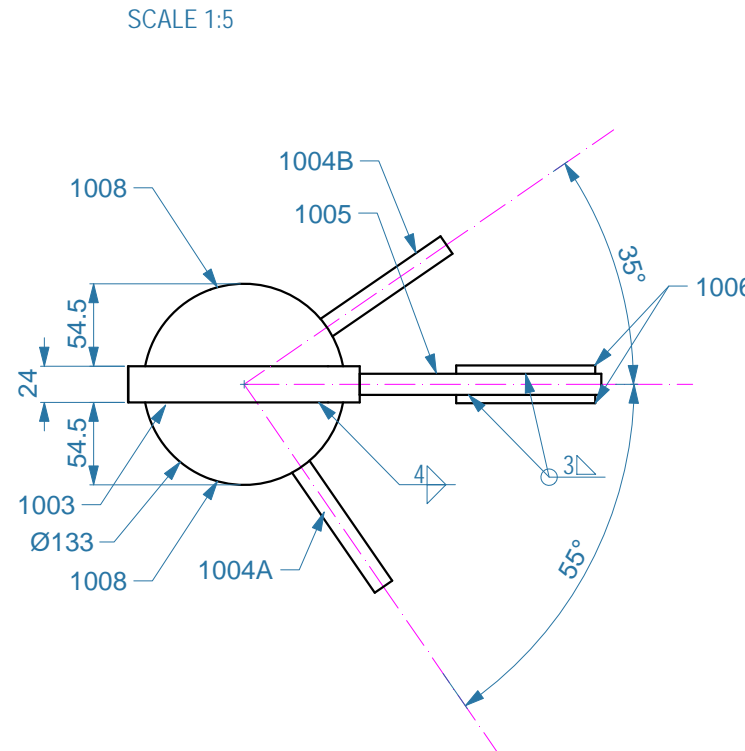
TOP VIEW

SCALE 1:5



BOTTOM VIEW

SCALE 1:5



MATERIAL: STEEL S355
FINISHING: POWDER COATING (RAL9001)

STEEL ASSEMBLIES	AMOUNT [PCS]	UNIT WEIGHT [kg/PCS]	TOTAL WEIGHT [kg]
A001_D1 vertical beam	1	27,57	27,6

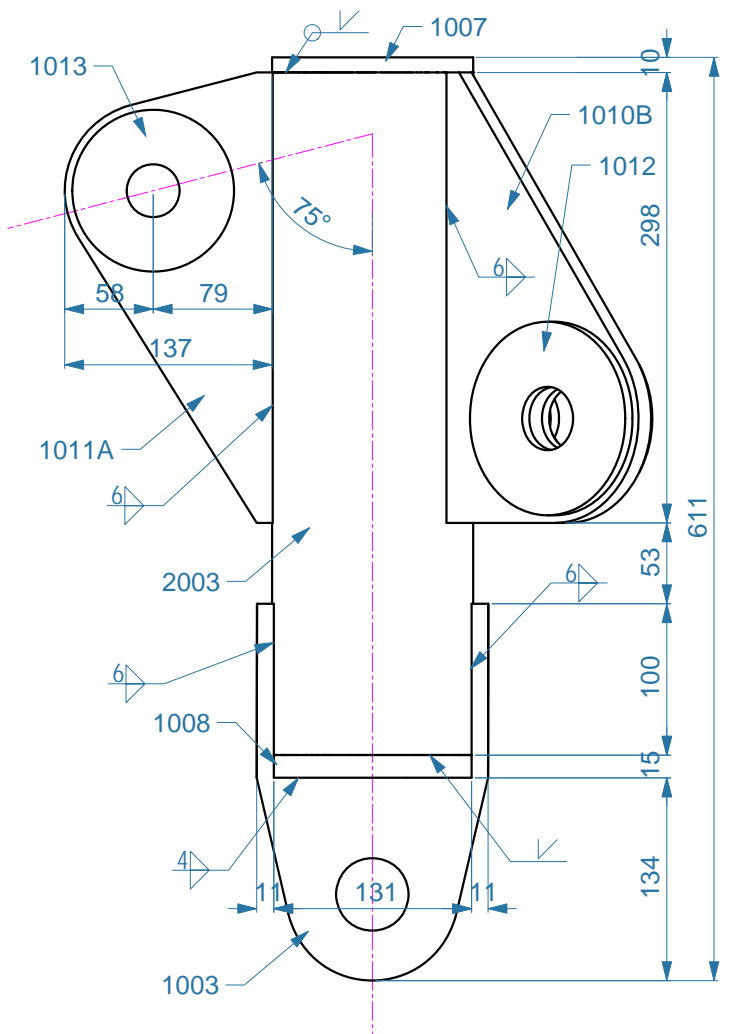
TOTAL WEIGHT [kg] 27,6

REV	CHANGE	DATE	DRAWN
2			
1	-	-	-

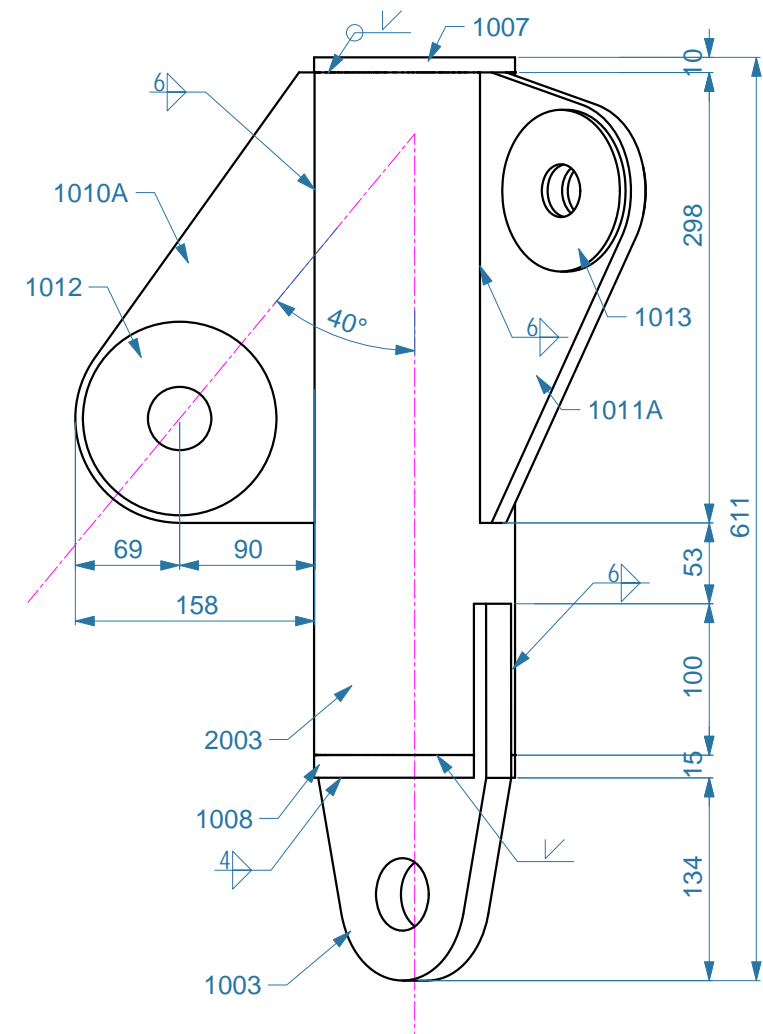
PROJECT: MASTER THESIS PROJECT COURTYARD COVER		PROJECT N°: MTP-ZS	
DRAWING: STEEL ASSEMBLY-01 A001- D1 VERTICAL BEAM		DRAWING N°: SD-ST-A01	REV: -
DRAWN: ZOLTÁN SIMON	DATE: 01.03.2016	SCALE: N.T.S.	SIZE: A3



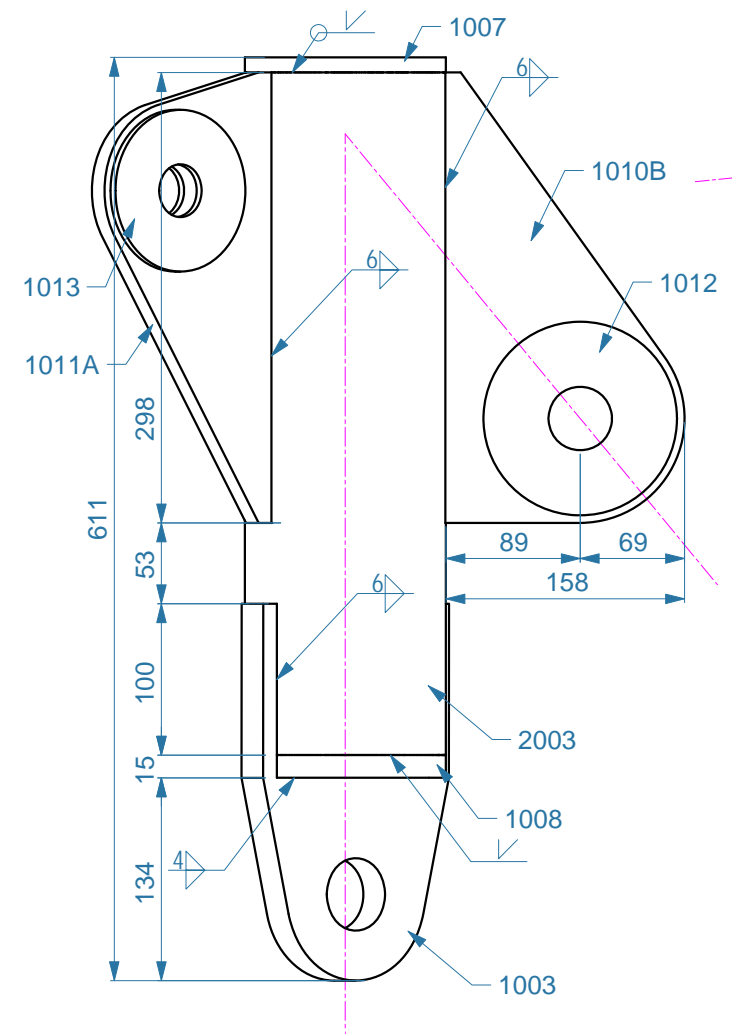
A-A VIEW
SCALE 1:5



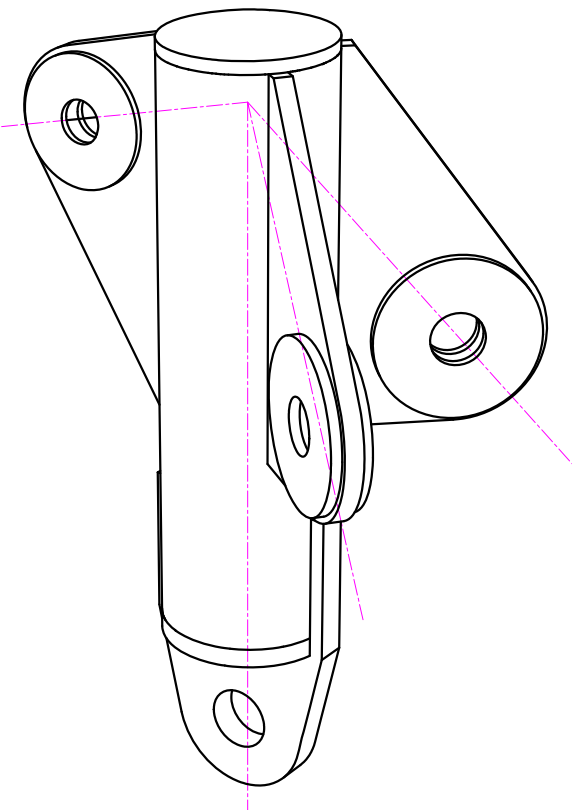
B-B VIEW
SCALE 1:5



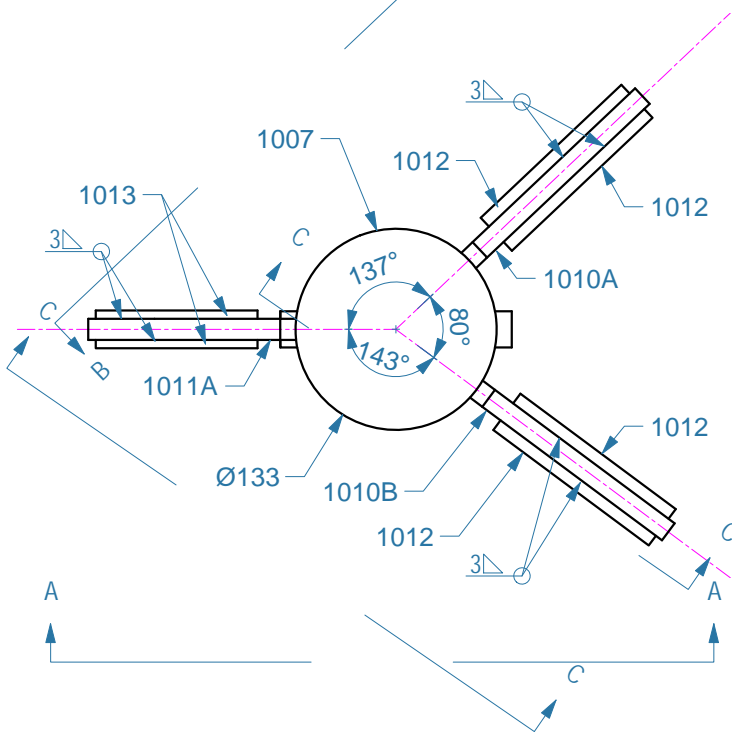
C-C VIEW
SCALE 1:5



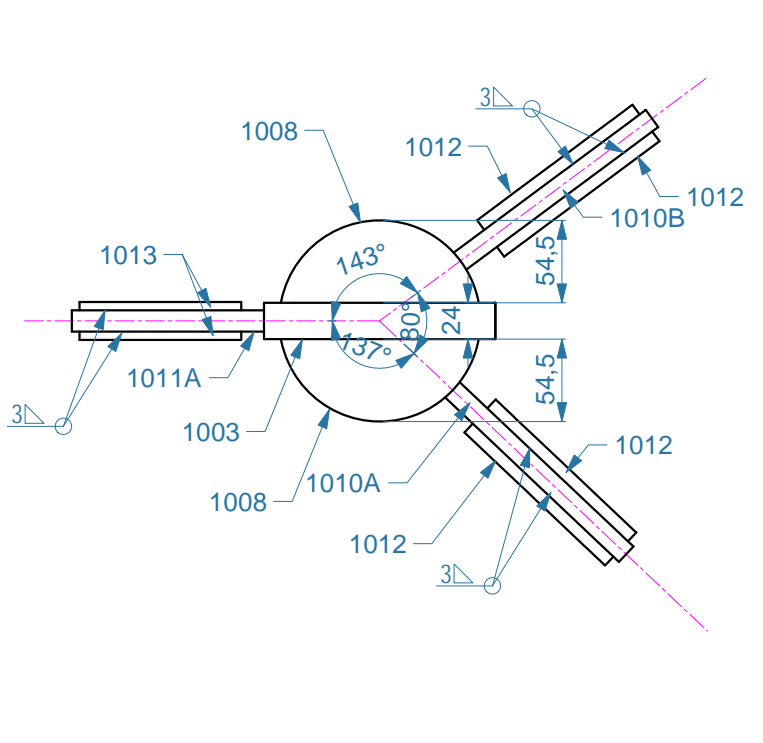
PERSPECTIVE VIEW



TOP VIEW
SCALE 1:5



BOTTOM VIEW
SCALE 1:5



MATERIAL: STEEL S355
FINISHING: POWDER COATING (RAL9001)

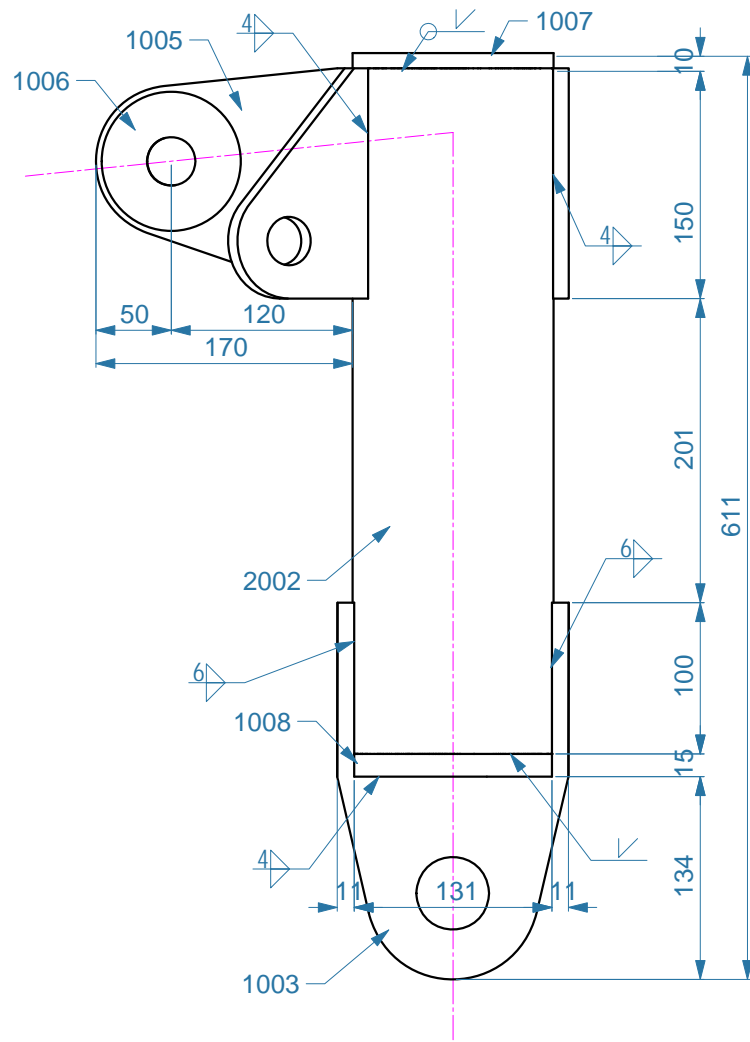
STEEL ASSEMBLIES	AMOUNT [PCS]	UNIT WEIGHT [kg/PCS]	TOTAL WEIGHT [kg]
A002_D2 vertical beam	1	32,0	32,0
TOTAL WEIGHT [kg]			32,0

REV	CHANGE	DATE	DRAWN
2			
1	-		

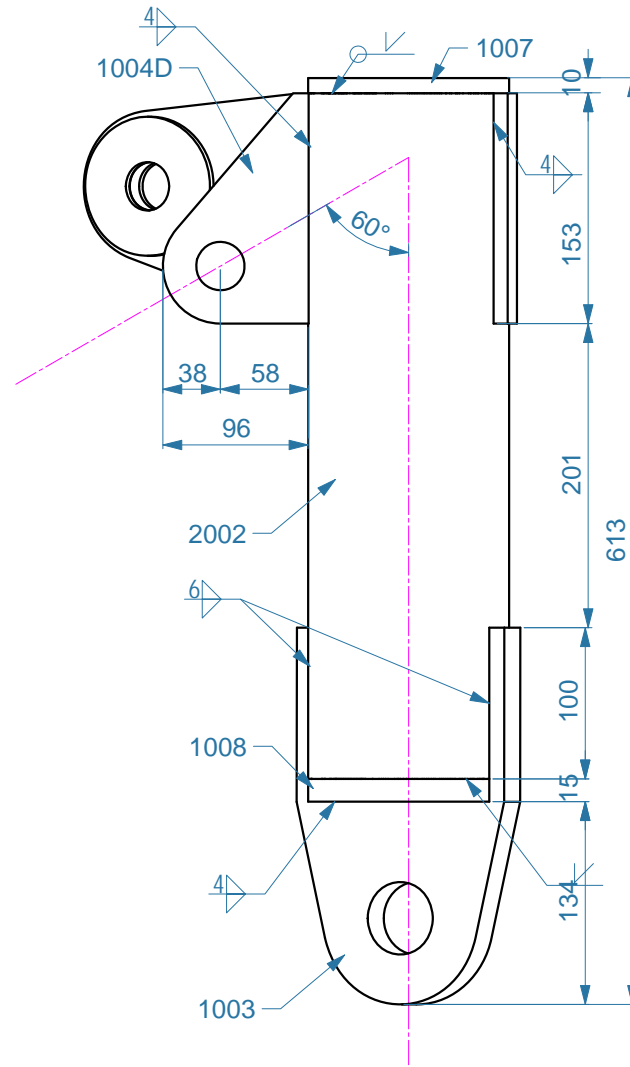
PROJECT:	MASTER THESIS PROJECT COURTYARD COVER	PROJECT N°:	MTP-ZS
DRAWING:	STEEL ASSEMBLY-02 A002- D2 VERTICAL BEAM	DRAWING N°:	SD-ST-A02
DRAWN:	ZOLTÁN SIMON	DATE:	01.03.2016
		SCALE:	N.T.S.
		SIZE:	A3



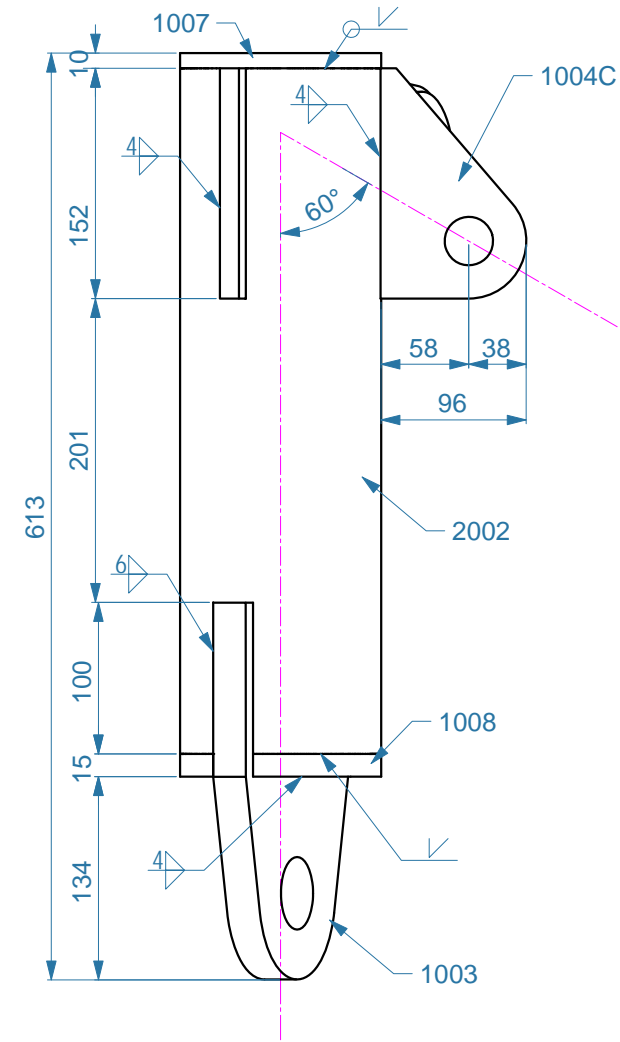
A-A VIEW
SCALE 1:5



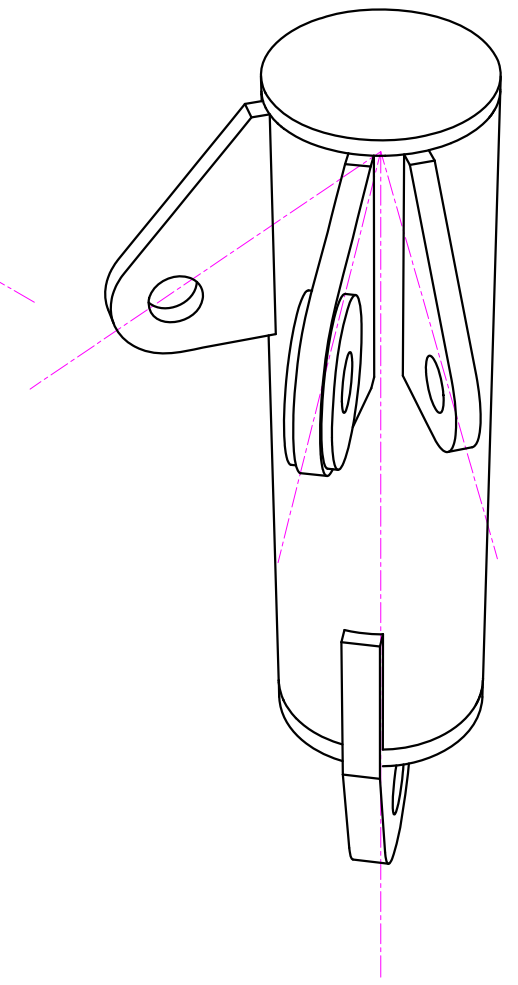
B-B VIEW
SCALE 1:5



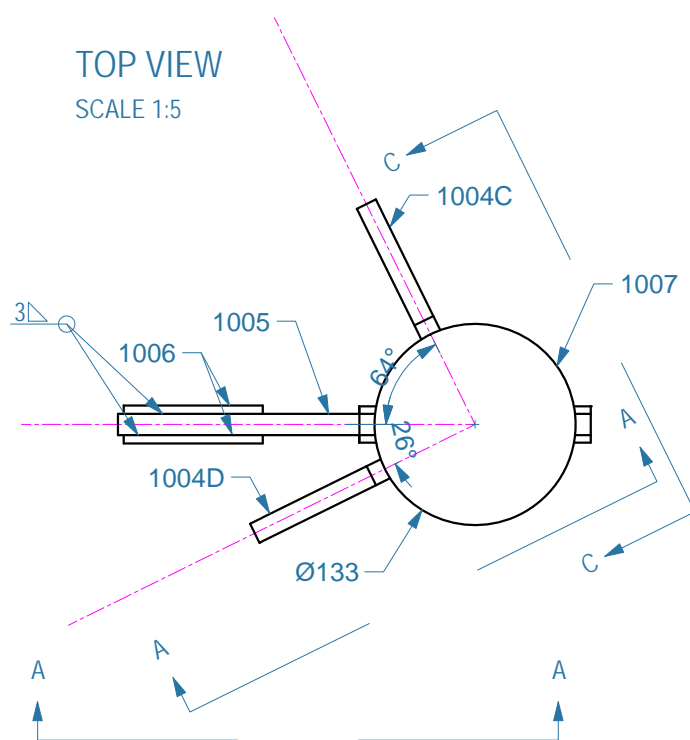
C-C VIEW
SCALE 1:5



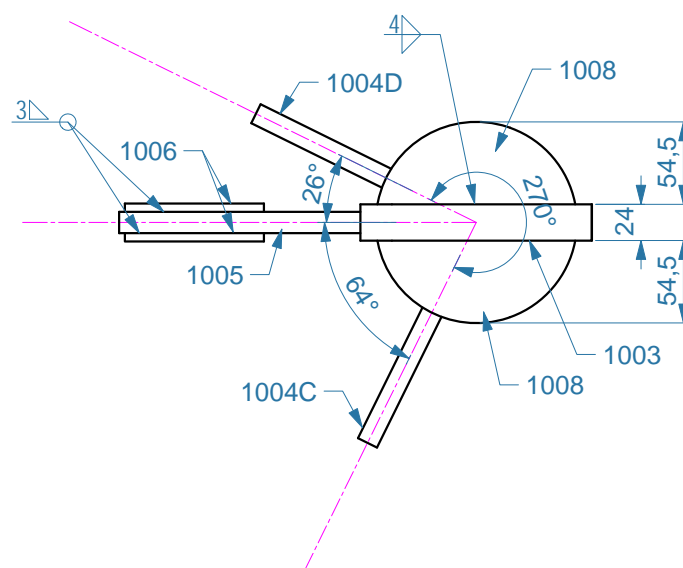
PERSPECTIVE VIEW



TOP VIEW
SCALE 1:5



BOTTOM VIEW
SCALE 1:5



MATERIAL: STEEL S355
FINISHING: POWDER COATING (RAL9001)

STEEL ASSEMBLIES	AMOUNT [PCS]	UNIT WEIGHT [kg/PCS]	TOTAL WEIGHT [kg]
A003_D3 vertical beam	1	27,4	27,4

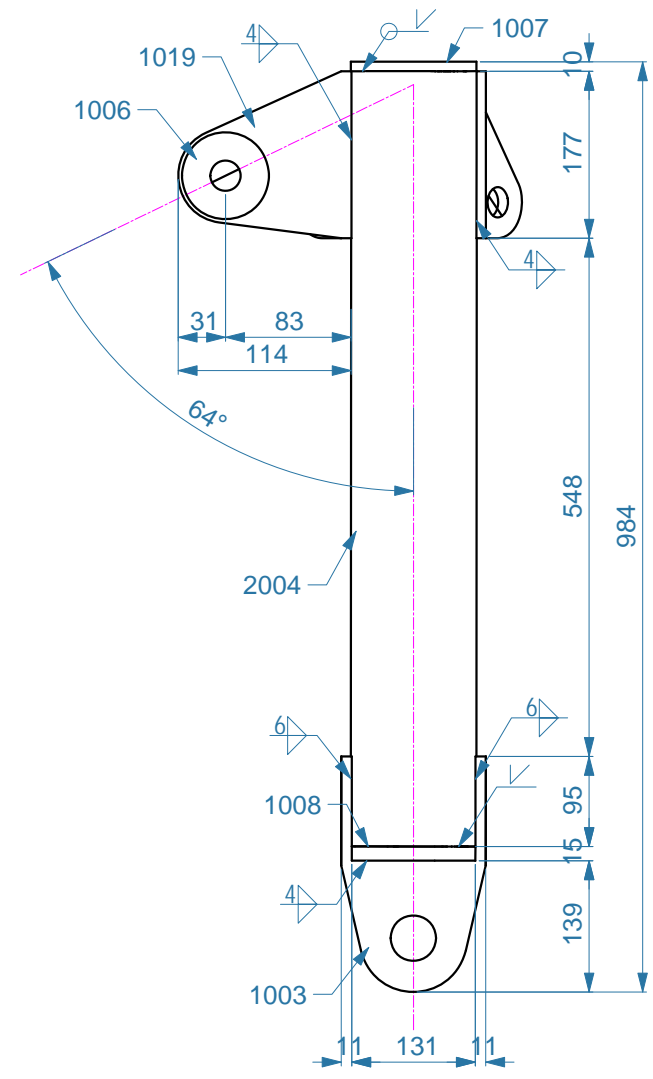
TOTAL WEIGHT [kg] 27,4

REV	CHANGE	DATE	DRAWN
2			
1	-	-	-

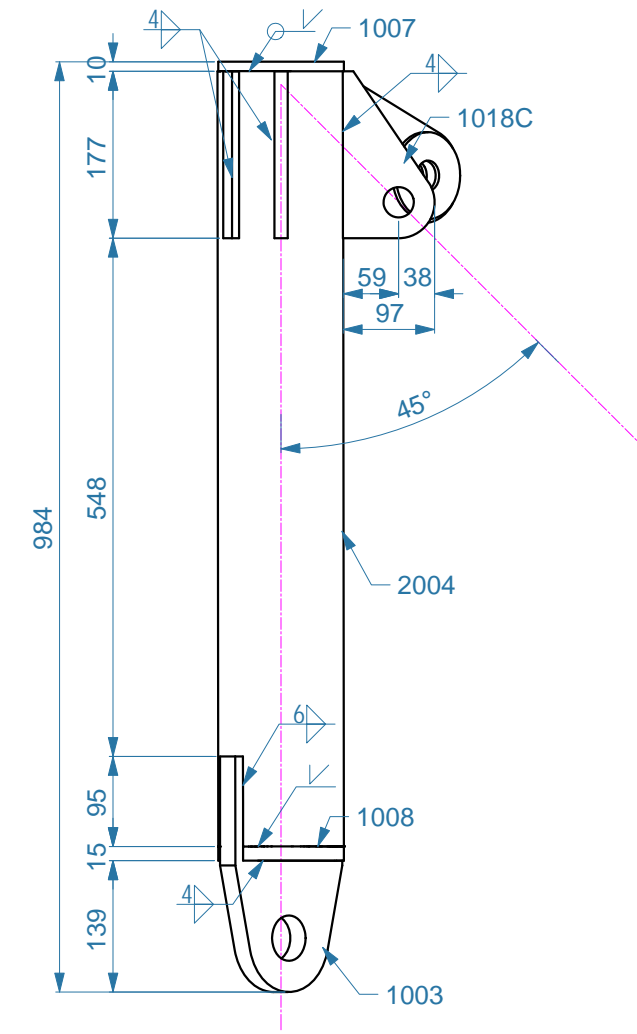
PROJECT: MASTER THESIS PROJECT COURTYARD COVER		PROJECT N°: MTP-ZS	
DRAWING: STEEL ASSEMBLY-03 A003- D3 VERTICAL BEAM		DRAWING N°: SD-ST-A03	REV: -
DRAWN: ZOLTÁN SIMON	DATE: 01.03.2016	SCALE: N.T.S.	SIZE: A3



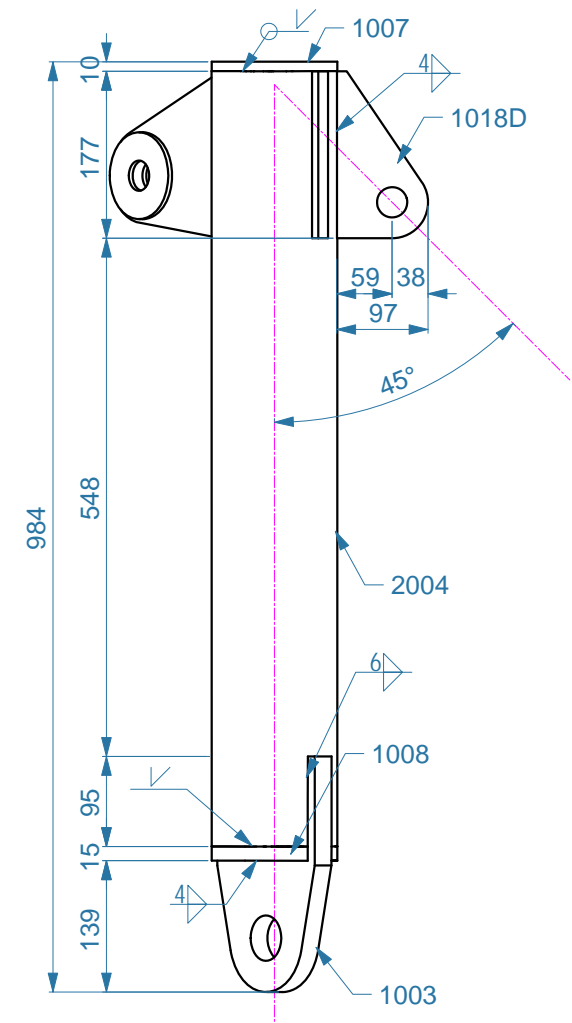
A-A VIEW
SCALE 1:8



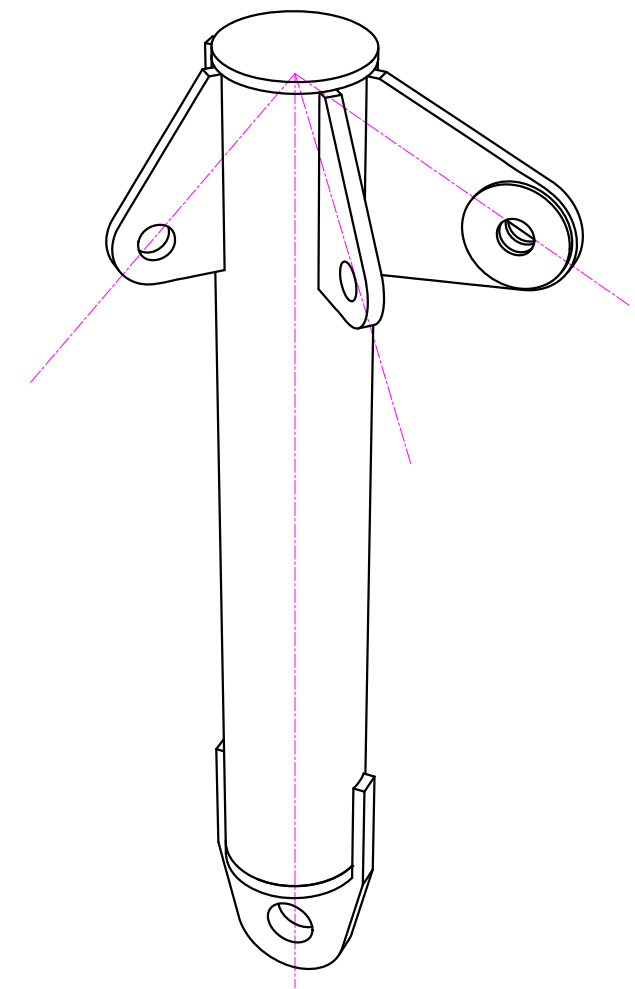
B-B VIEW
SCALE 1:8



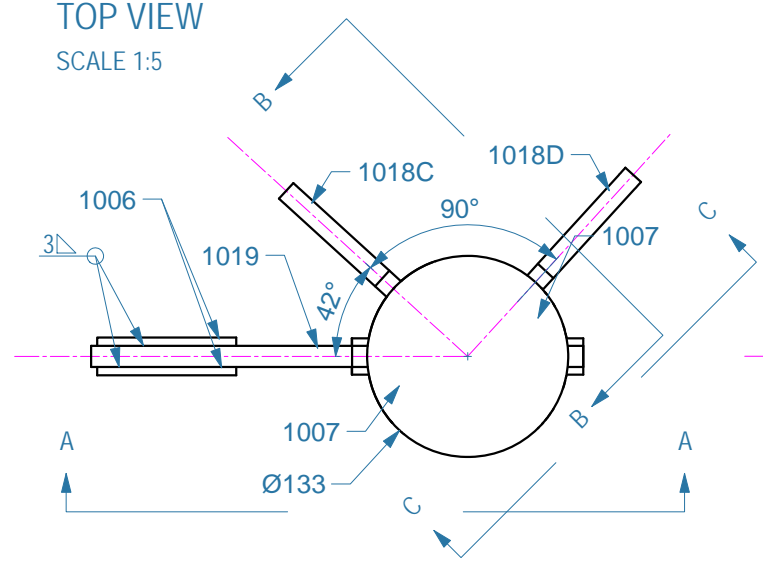
C-C VIEW
SCALE 1:8



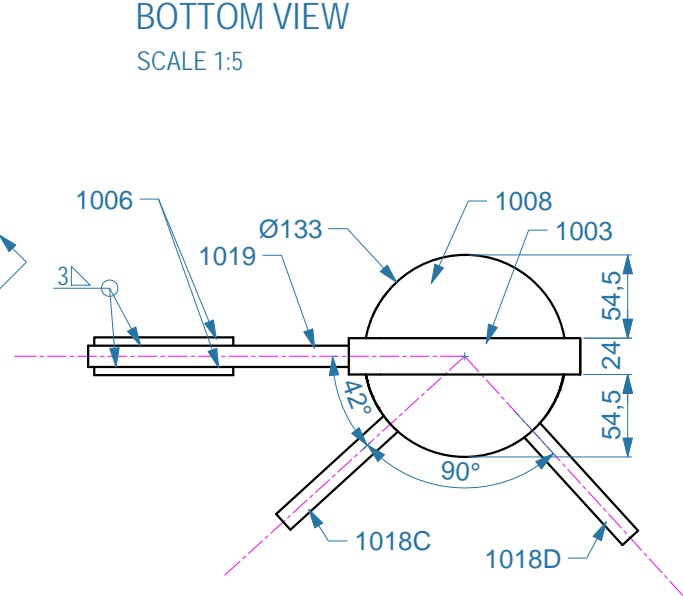
PERSPECTIVE VIEW



TOP VIEW
SCALE 1:5



BOTTOM VIEW
SCALE 1:5



MATERIAL: STEEL S355
FINISHING: POWDER COATING (RAL9001)

STEEL ASSEMBLIES	AMOUNT [PCS]	UNIT WEIGHT [kg/PCS]	TOTAL WEIGHT [kg]
A004_D4 vertical beam	1	37,8	37,8
TOTAL WEIGHT [kg]			37,8

REV	CHANGE	DATE	DRAWN
2			
1	-		

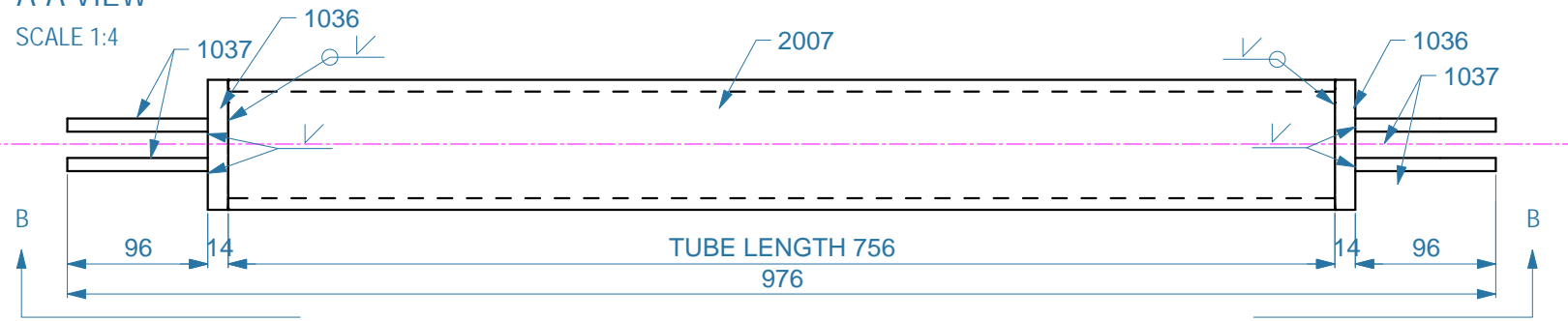
PROJECT:	MASTER THESIS PROJECT COURTYARD COVER	PROJECT N°:	MTP-ZS
DRAWING:	STEEL ASSEMBLY-04 A004- D4 VERTICAL BEAM	DRAWING N°:	SD-ST-A04
DRAWN:	ZOLTÁN SIMON	DATE:	01.03.2016
		SCALE:	N.T.S.
		SIZE:	A3



ASSEMBLY A007 - PRODUCE 4X

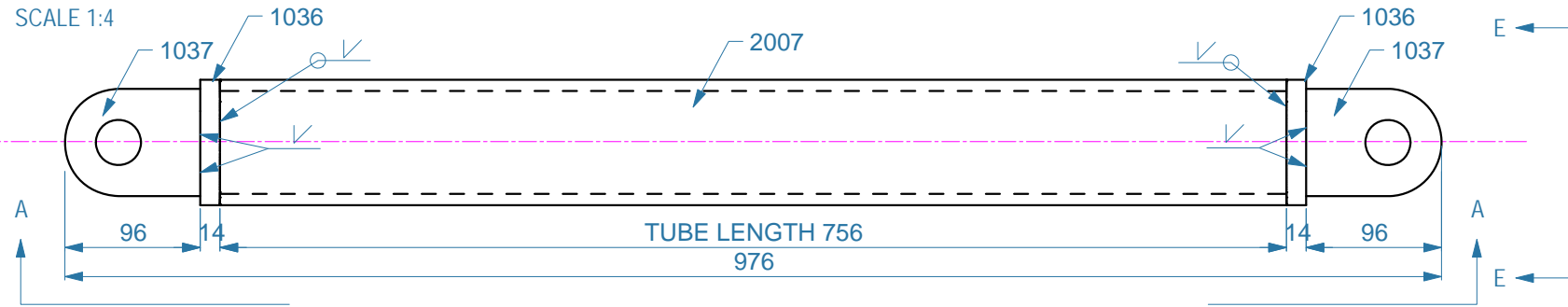
A-A VIEW

SCALE 1:4



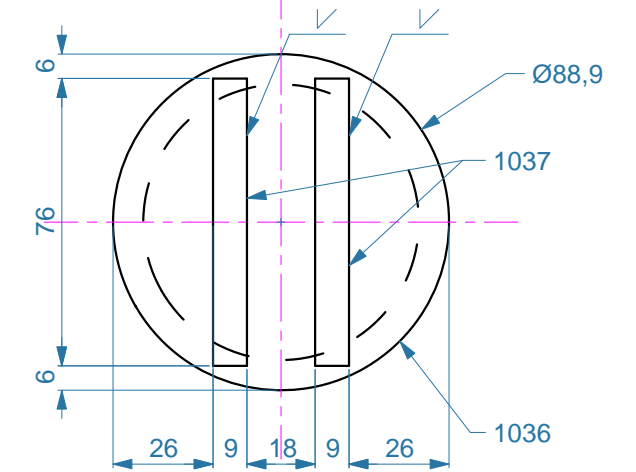
B-B VIEW

SCALE 1:4



E-E VIEW

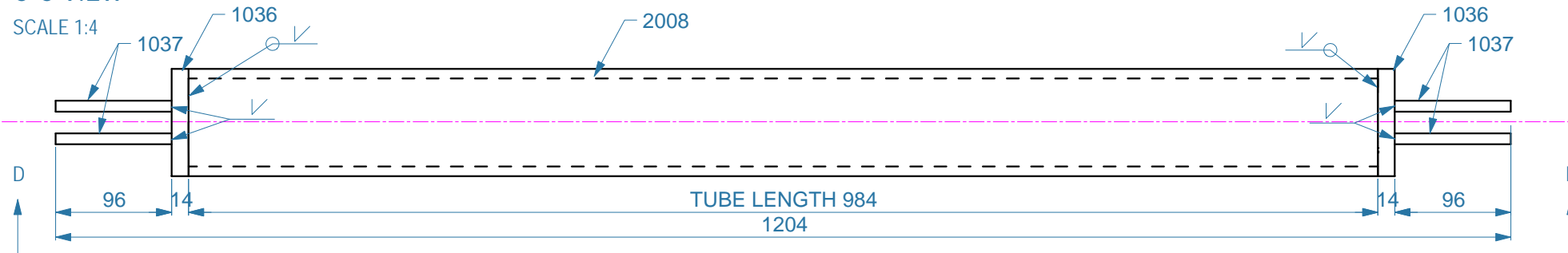
SCALE 1:2



ASSEMBLY A009 - PRODUCE 4X

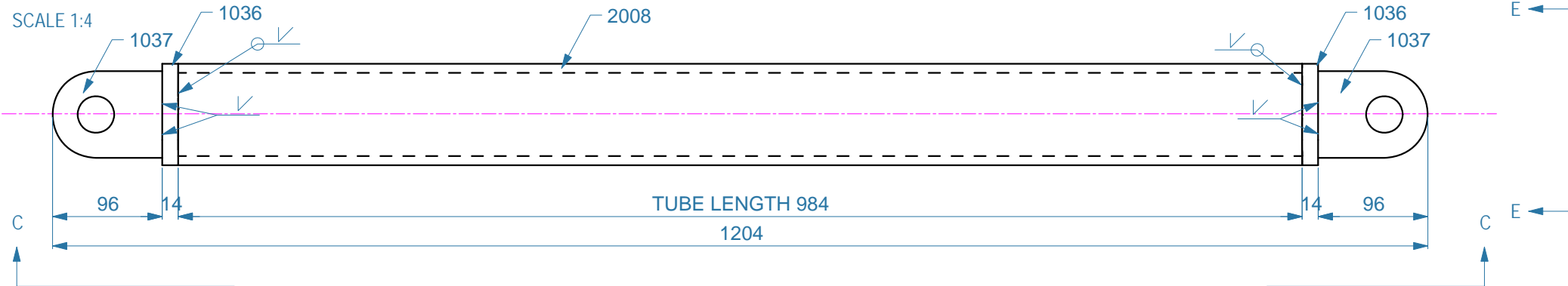
C-C VIEW

SCALE 1:4



D-D VIEW

SCALE 1:4



MATERIAL: STEEL S355
FINISHING: POWDER COATING (RAL9001)

STEEL ASSEMBLIES	AMOUNT [PCS]	UNIT WEIGHT [kg/PCS]	TOTAL WEIGHT [kg]
A007_inclined beam(60°)	4	15,09	60,4
A009_inclined beam(45°)	4	18,73	74,9

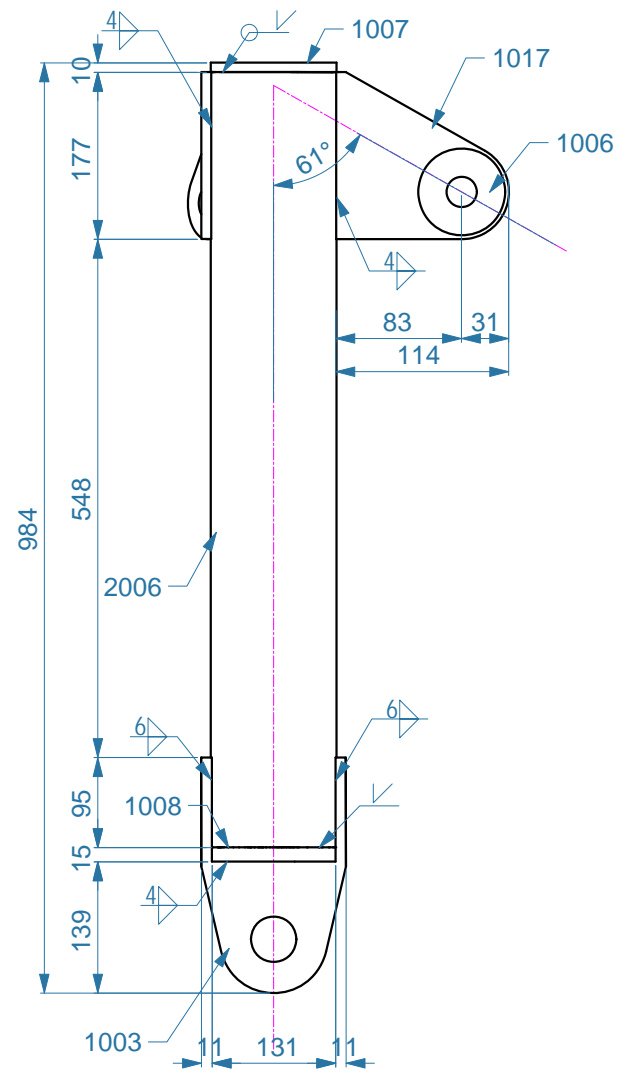
TOTAL WEIGHT [kg] 135,3

REV	CHANGE	DATE	DRAWN
2			
1	-		

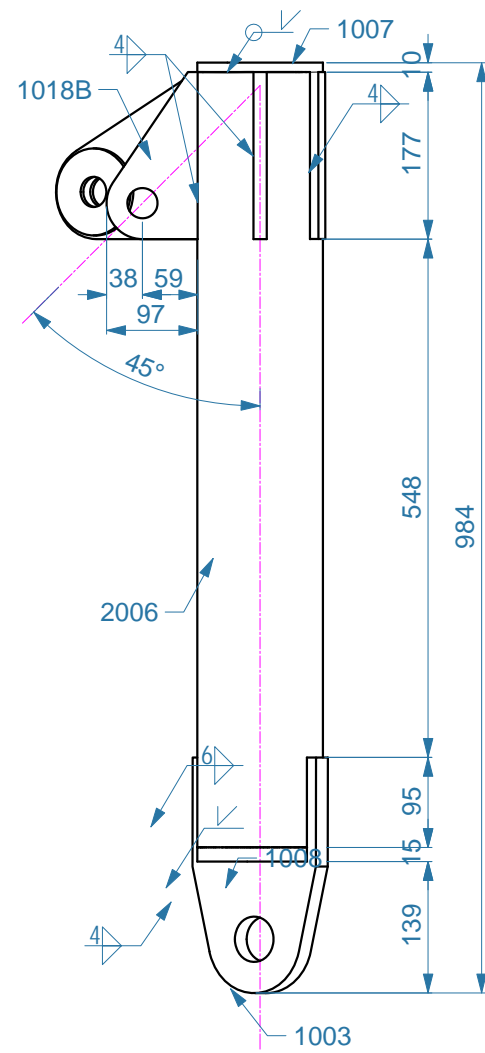
PROJECT: MASTER THESIS PROJECT COURTYARD COVER		PROJECT N°: MTP-ZS	
DRAWING: STEEL ASSEMBLY-05 INCLINED BEAMS		DRAWING N°: SD-ST-A05	REV: -
DRAWN: ZOLTÁN SIMON	DATE: 01.03.2016	SCALE: N.T.S.	SIZE: A3



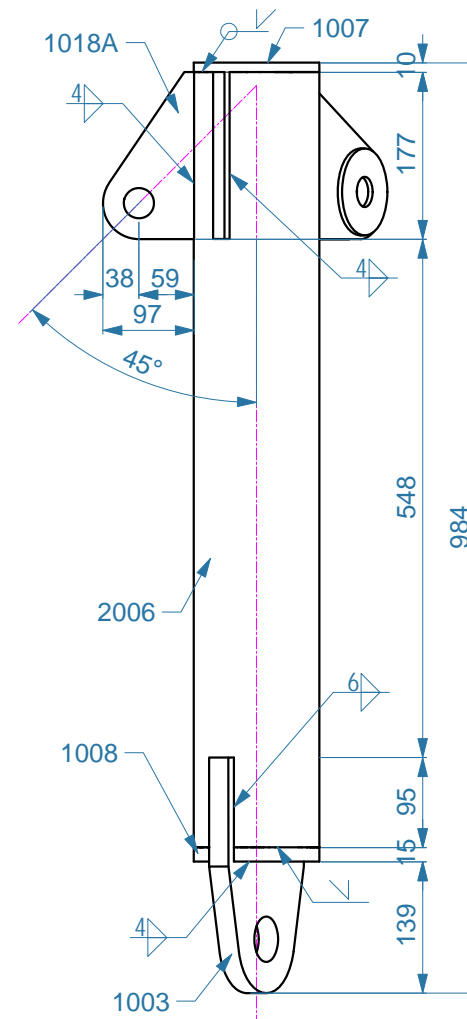
A-A VIEW
SCALE 1:8



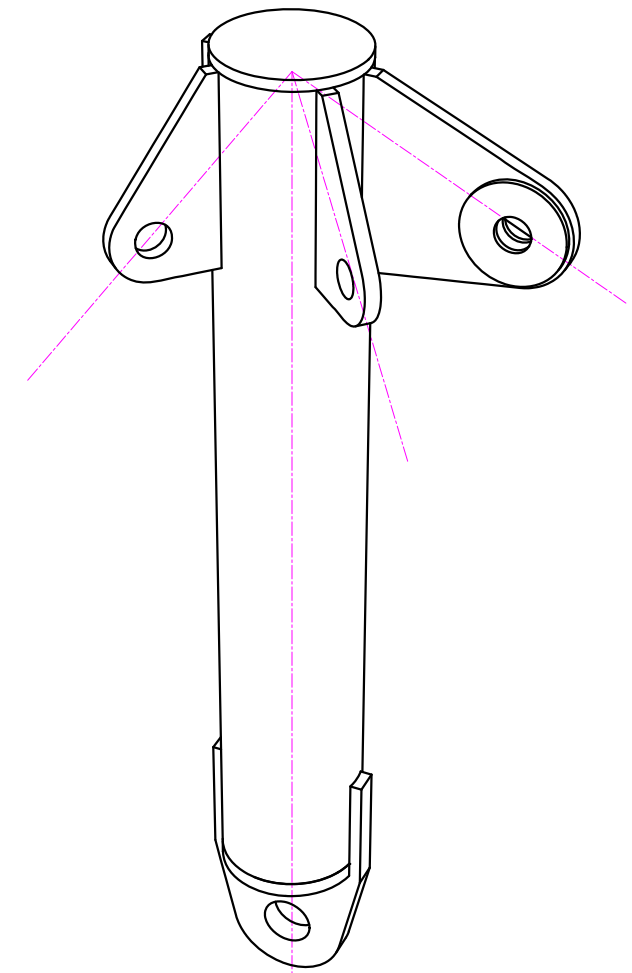
B-B VIEW
SCALE 1:8



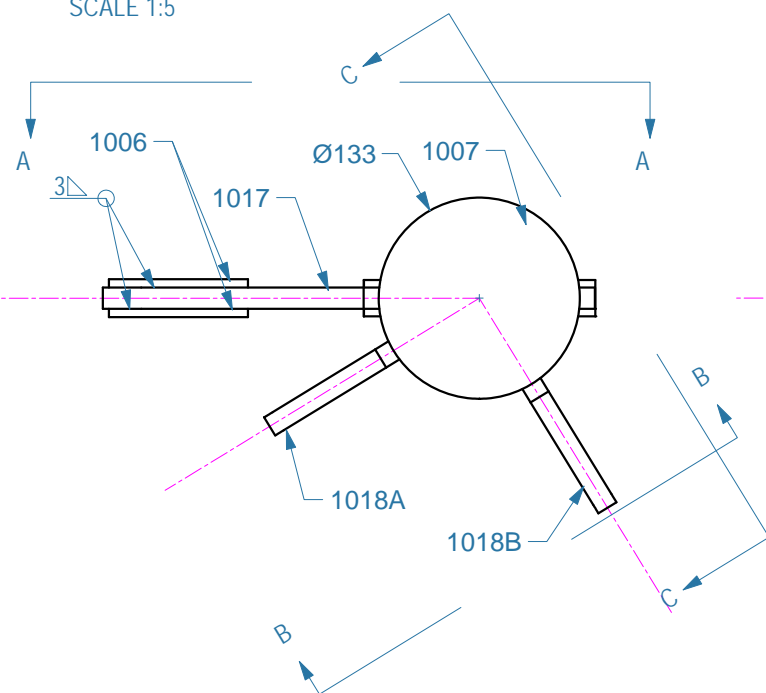
C-C VIEW
SCALE 1:8



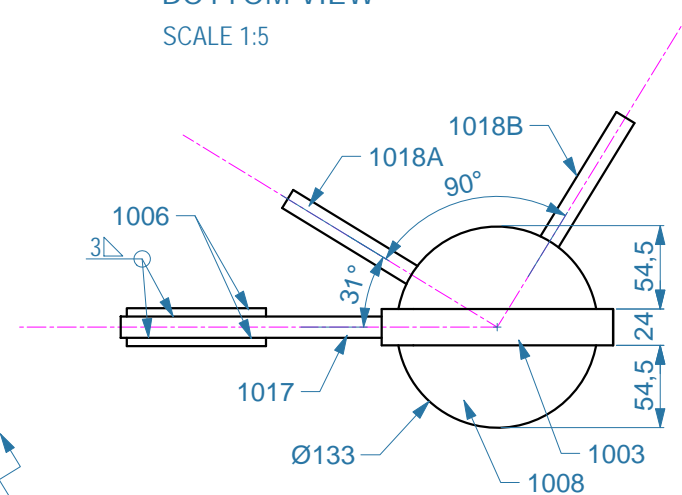
PERSPECTIVE VIEW



TOP VIEW
SCALE 1:5



BOTTOM VIEW
SCALE 1:5



MATERIAL: STEEL S355
FINISHING: POWDER COATING (RAL9001)

STEEL ASSEMBLIES	AMOUNT [PCS]	UNIT WEIGHT [kg/PCS]	TOTAL WEIGHT [kg]
A006_D6 vertical beam	1	32,2	32,2

TOTAL WEIGHT [kg] 32,2

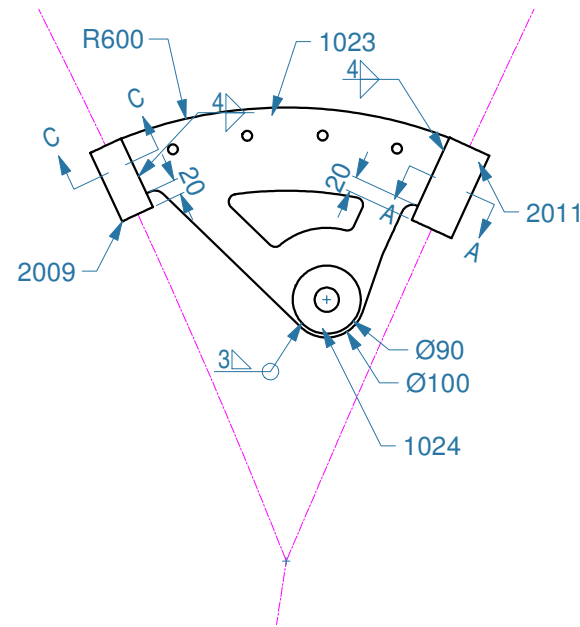
REV	CHANGE	DATE	DRAWN
2			
1	-	-	-

PROJECT: MASTER THESIS PROJECT COURTYARD COVER		PROJECT N°: MTP-ZS	
DRAWING: STEEL ASSEMBLY-06 A006- D6 VERTICAL BEAM		DRAWING N°: SD-ST-A06	REV: -
DRAWN: ZOLTÁN SIMON	DATE: 01.03.2016	SCALE: N.T.S.	SIZE: A3

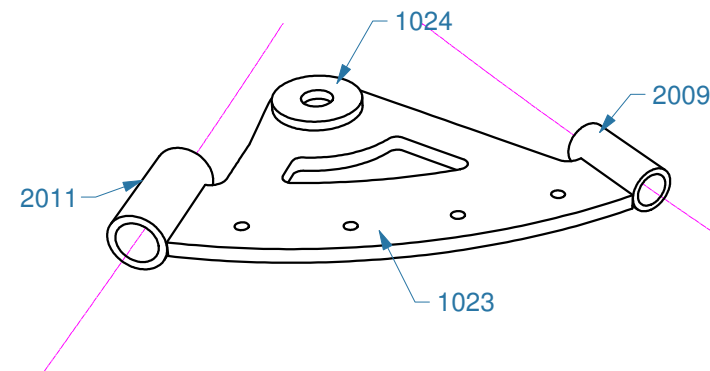


A014 (D1 CORNER PLATE)

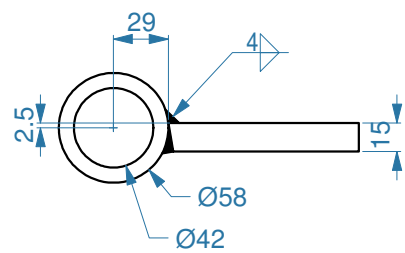
TOP VIEW
SCALE 1:10



PERSPECTIVE VIEW

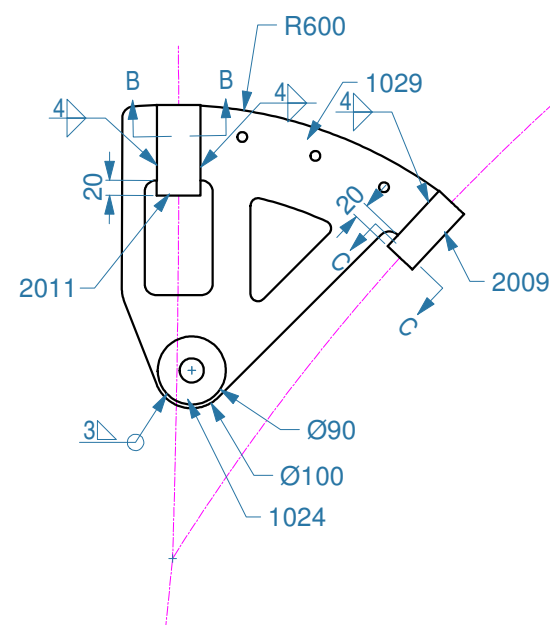


SECTION A-A
SCALE 1:4

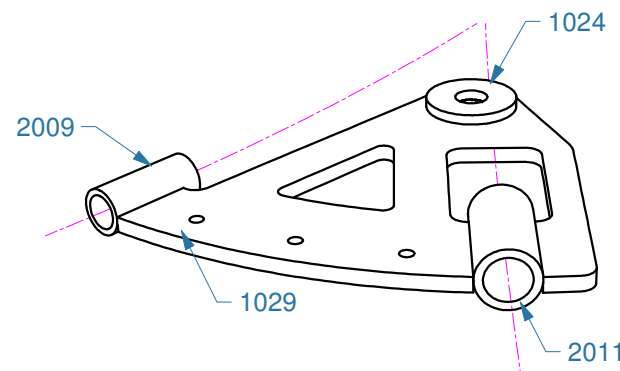


A016 (D3 CORNER PLATE)

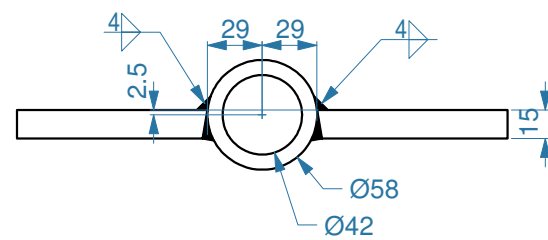
TOP VIEW
SCALE 1:10



PERSPECTIVE VIEW

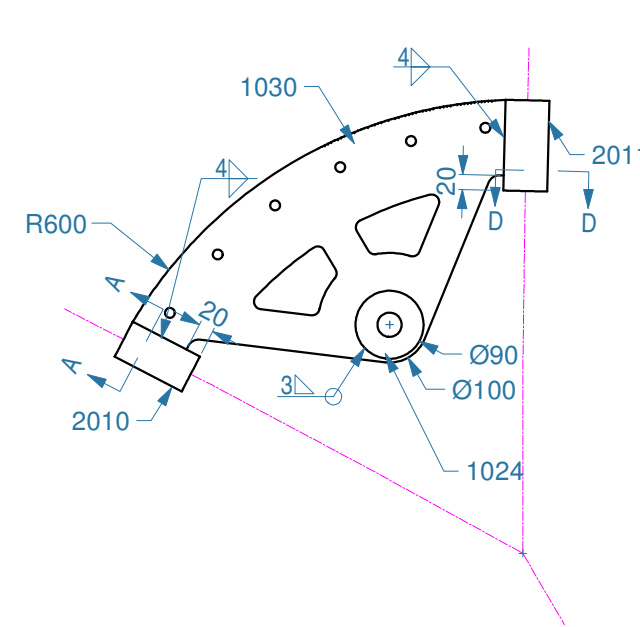


SECTION B-B
SCALE 1:4

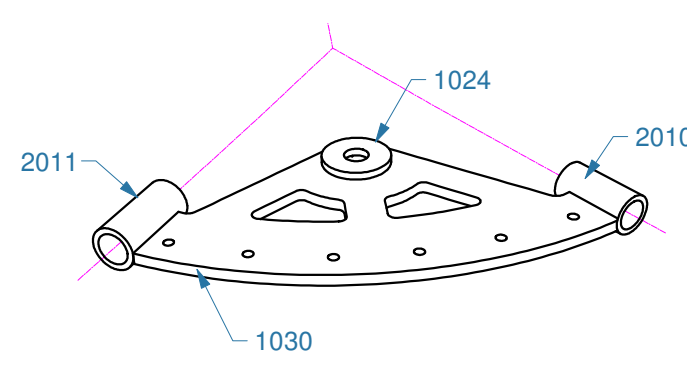


A017 (D4 CORNER PLATE)

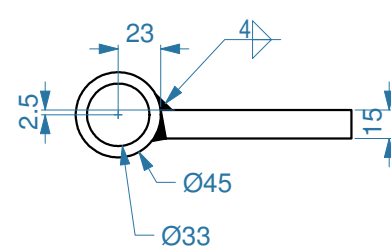
TOP VIEW
SCALE 1:10



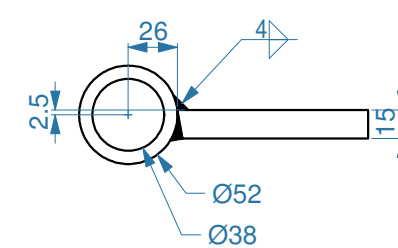
PERSPECTIVE VIEW



SECTION C-C
SCALE 1:4

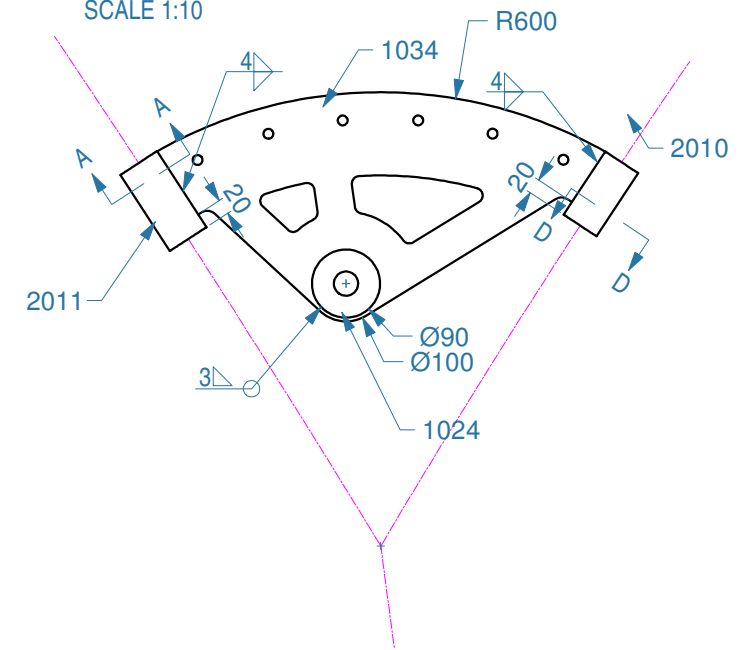


SECTION D-D
SCALE 1:4

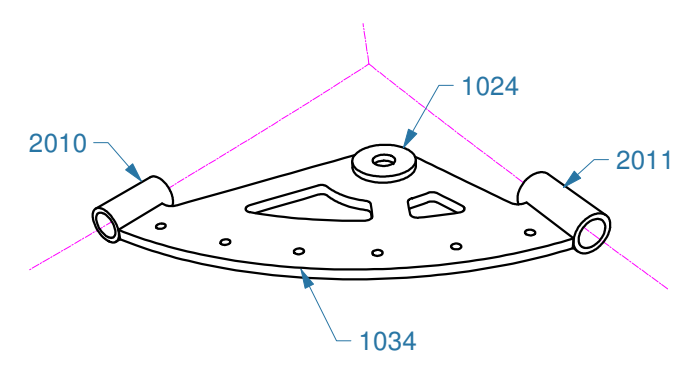


A019 (D6 CORNER PLATE)

TOP VIEW
SCALE 1:10



PERSPECTIVE VIEW



MATERIAL: STEEL S355
FINISHING: POWDER COATING (RAL9001)

STEEL ASSEMBLIES	AMOUNT [PCS]	UNIT WEIGHT [kg/PCS]	TOTAL WEIGHT [kg]
A014_D1 CORNERPLATE	1	10,07	10,1
A016_D3 CORNER PLATE	1	11,14	11,1
A017_D4 CORNER PLATE	1	13,01	13,0
A019_D6 CORNER PLATE	1	13,29	13,3

TOTAL WEIGHT [kg] 47,5

REV	CHANGE	DATE	DRAWN
2			
1	-	-	-

PROJECT: MASTER THESIS PROJECT
COURTYARD COVER

PROJECT N°:
MTP-ZS

DRAWING: STEEL ASSEMBLY-07
CORNER PL. (A014; A016; A017; A019)

DRAWING N°:
SD-ST-A07

DRAWN: ZOLTÁN SIMON

DATE: 01.03.2016

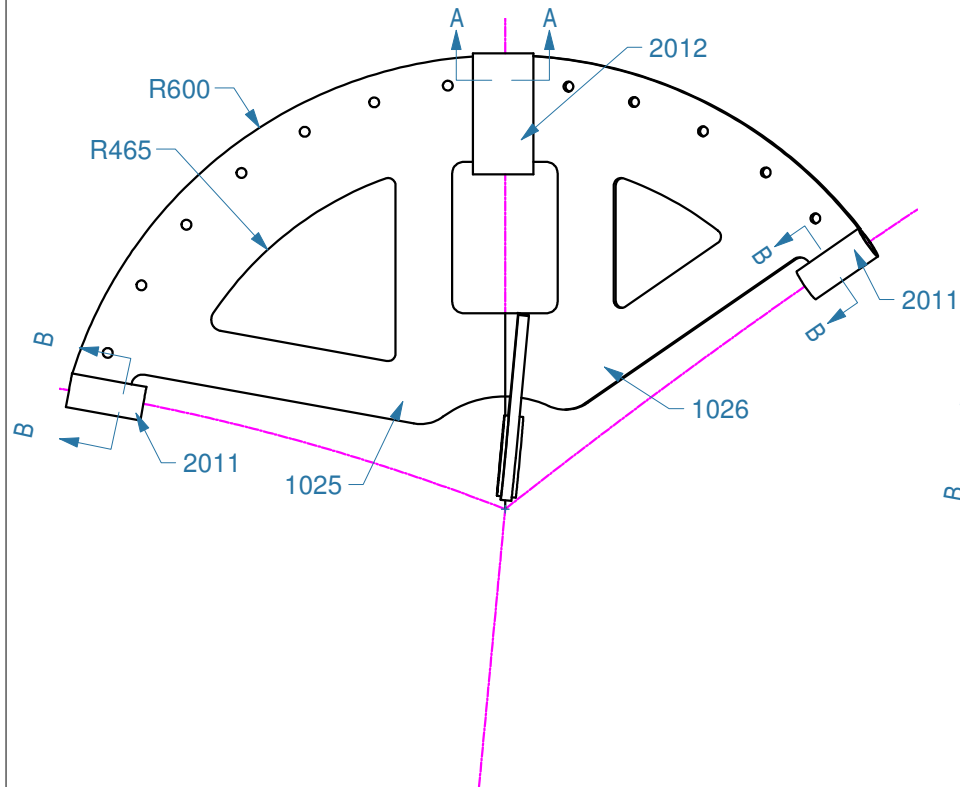
SCALE: N.T.S.

SIZE: A3

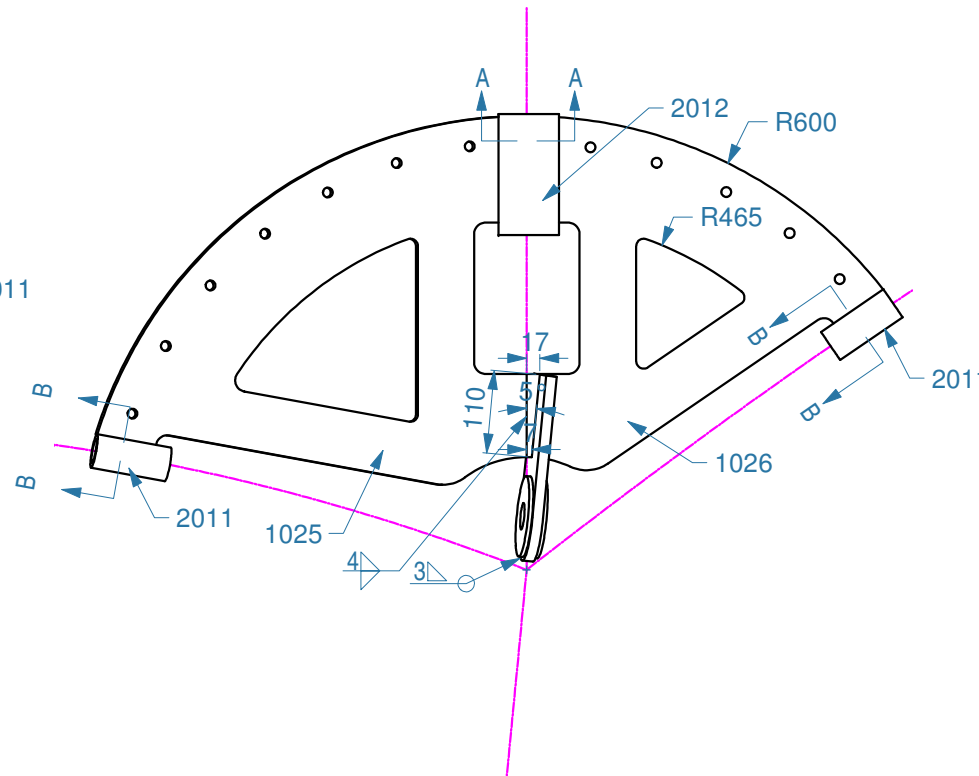


A015 (D2 CORNER PLATE)

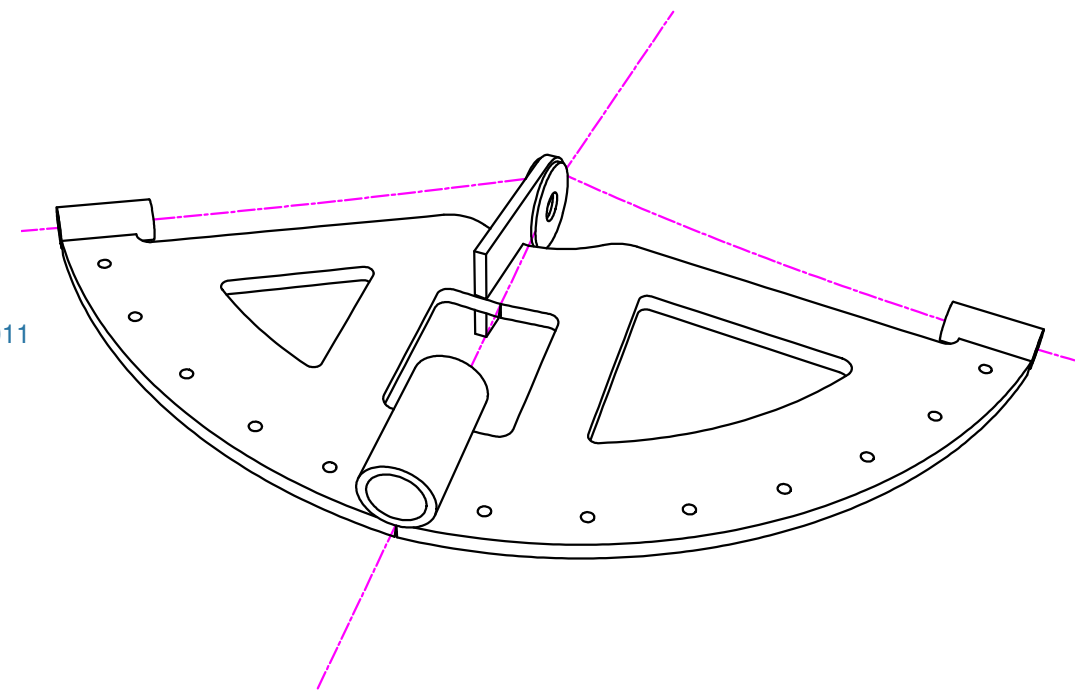
C-C VIEW
SCALE 1:8



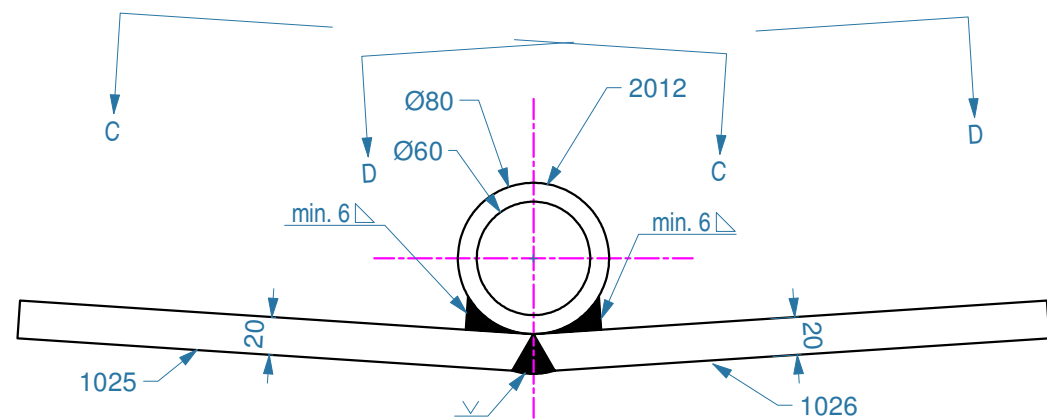
D-D VIEW
SCALE 1:8



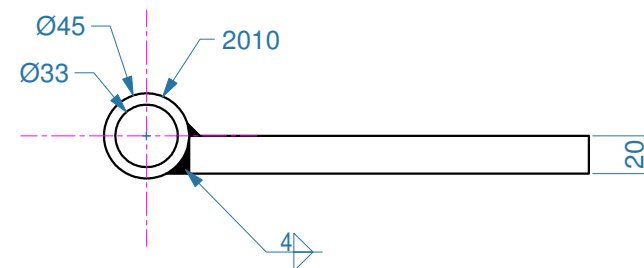
PERSPECTIVE VIEW



SECTION A-A
SCALE 1:4



SECTION B-B
SCALE 1:4



MATERIAL: STEEL S355
FINISHING: POWDER COATING (RAL9001)

STEEL ASSEMBLIES	AMOUNT [PCS]	UNIT WEIGHT [kg/PCS]	TOTAL WEIGHT [kg]
A015_D2 CORNERPLATE	1	47,1	47,1

TOTAL WEIGHT [kg] 47,1

REV	CHANGE	DATE	DRAWN
2			
1	-	-	-

PROJECT: MASTER THESIS PROJECT
COURTYARD COVER

PROJECT N°:
MTP-ZS

DRAWING: STEEL ASSEMBLY-08
CORNER PL. (A015)

DRAWING N°:
SD-ST-A08

REV:
-

DRAWN: ZOLTÁN SIMON

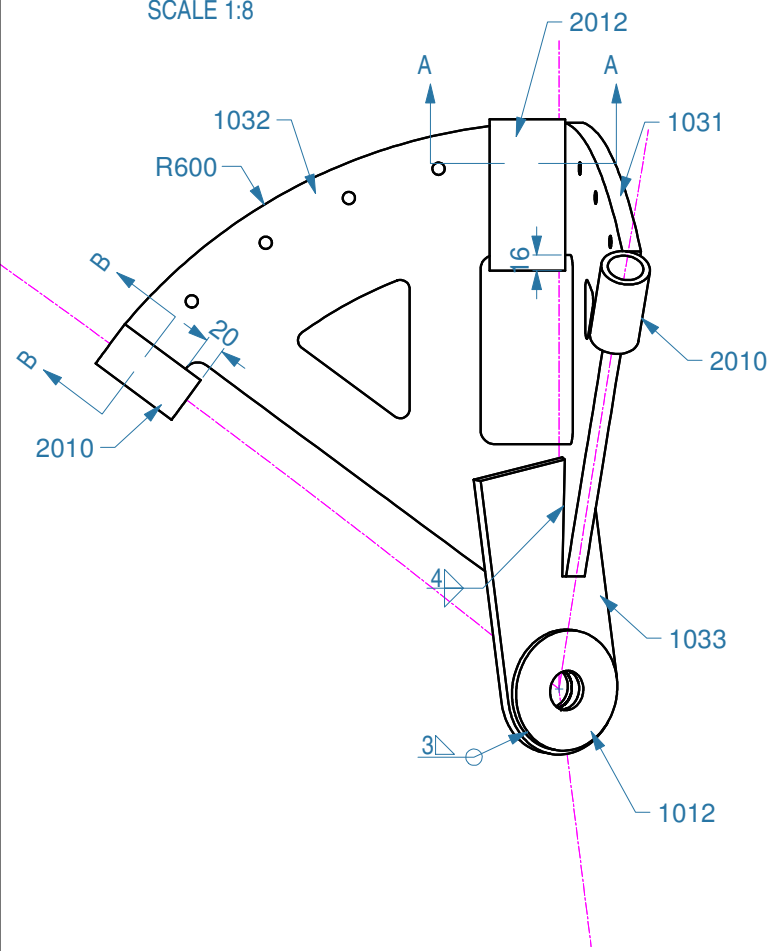
DATE: 01.03.2016

SCALE: N.T.S.

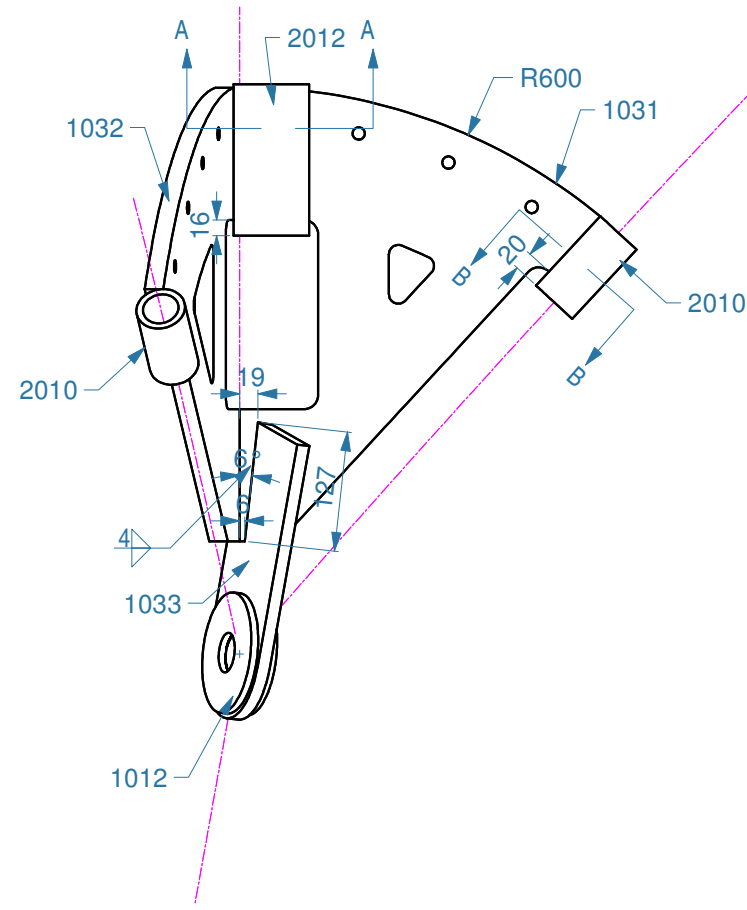
SIZE: A3



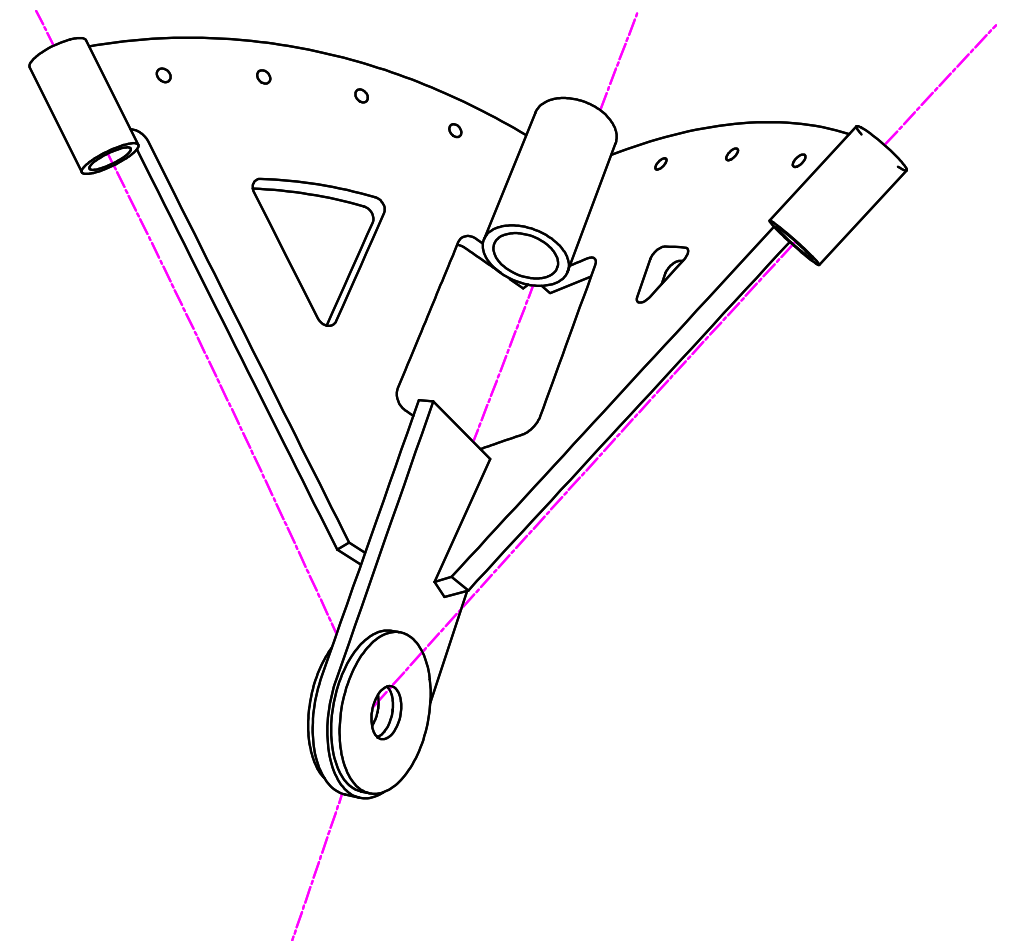
C-C VIEW
SCALE 1:8



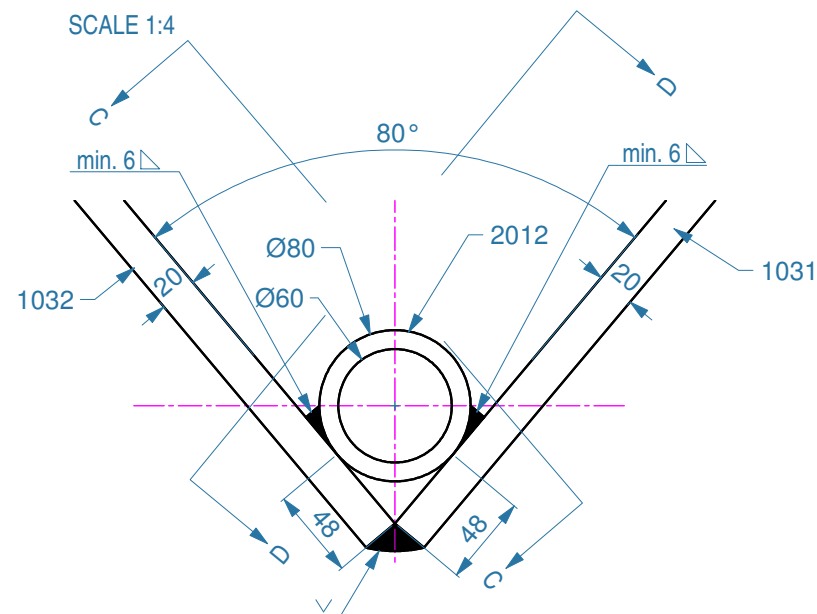
D-D VIEW
SCALE 1:8



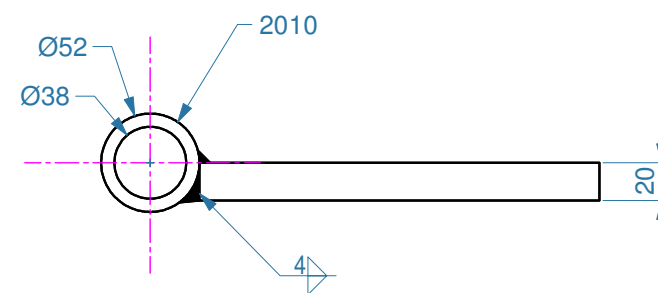
PERSPECTIVE VIEW



SECTION A-A
SCALE 1:4



SECTION B-B
SCALE 1:4



MATERIAL: STEEL S355
FINISHING: POWDER COATING (RAL9001)

STEEL ASSEMBLIES	AMOUNT [PCS]	UNIT WEIGHT [kg/PCS]	TOTAL WEIGHT [kg]
A018_D5 CORNERPLATE	1	40,6	40,6

TOTAL WEIGHT [kg] 40,6

REV	CHANGE	DATE	DRAWN
2			
1	-	-	-

PROJECT: MASTER THESIS PROJECT
COURTYARD COVER

PROJECT N°:
MTP-ZS

DRAWING: STEEL ASSEMBLY-09
CORNER PL. (A018)

DRAWING N°:
SD-ST-A09

REV:
-

DRAWN: ZOLTÁN SIMON

DATE: 01.03.2016

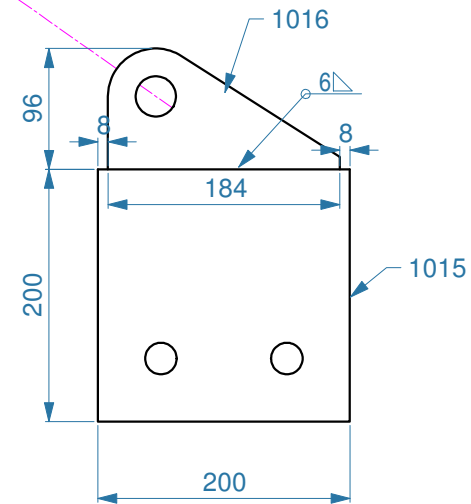
SCALE: N.T.S.

SIZE: A3

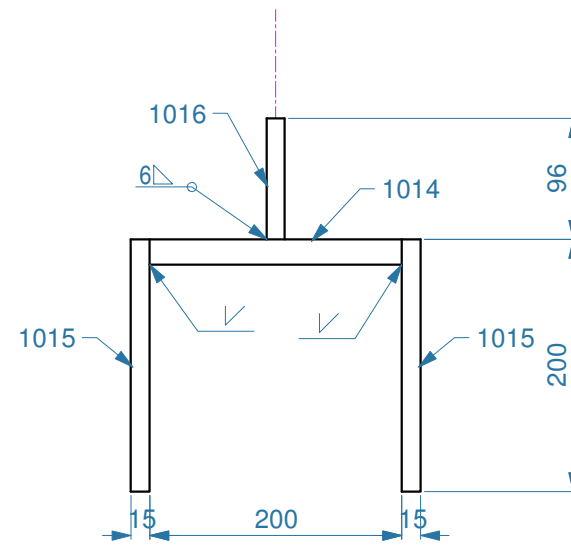


A008- FOOT PLATE FOR INCLINED BEAM (60°)

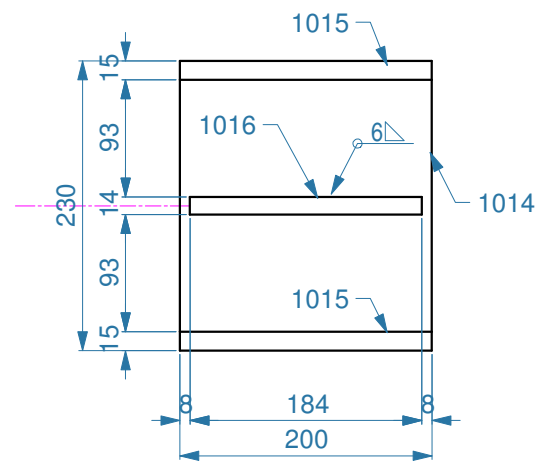
SIDE VIEW
SCALE 1:6



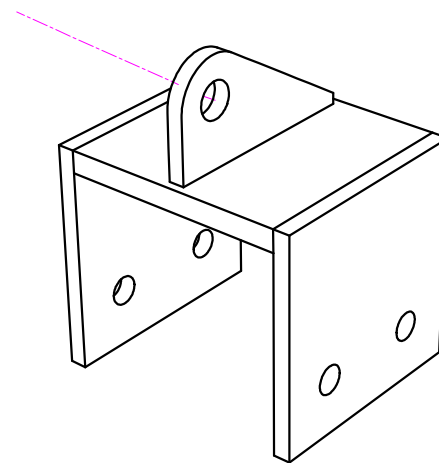
FRONT VIEW
SCALE 1:6



TOP VIEW
SCALE 1:6

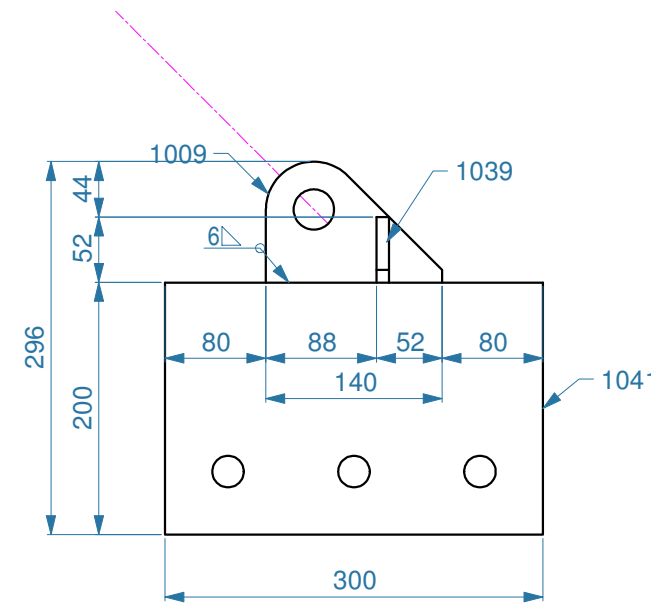


PERSPECTIVE VIEW

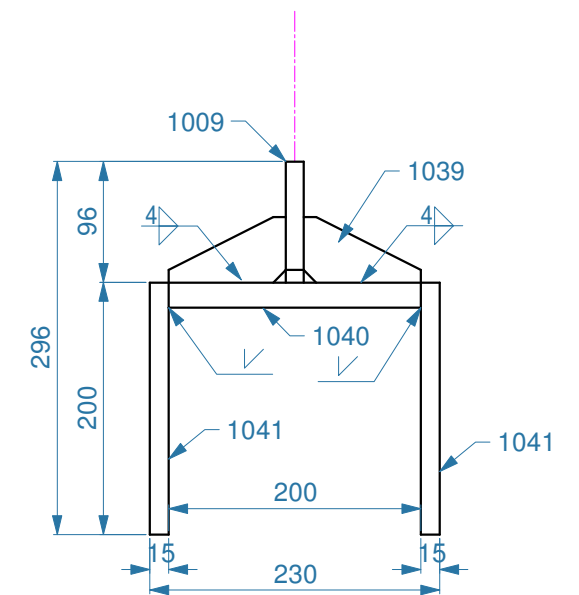


A020- FOOT PLATE FOR INCLINED BEAM (45° - TENSION)

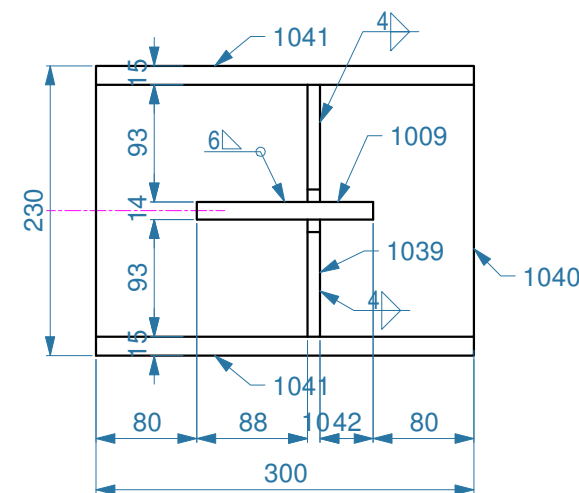
SIDE VIEW
SCALE 1:6



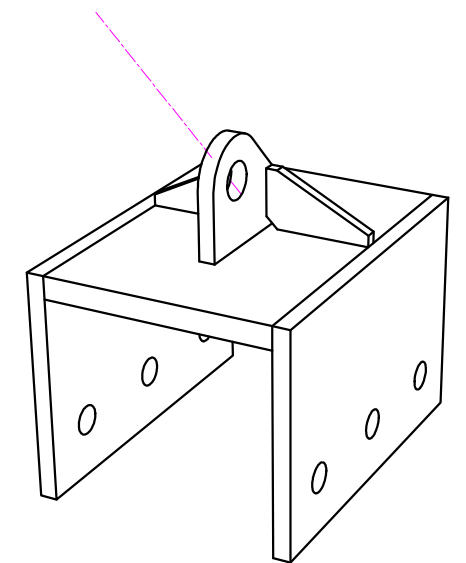
FRONT VIEW
SCALE 1:6



TOP VIEW
SCALE 1:6



PERSPECTIVE VIEW



MATERIAL: STEEL S355
FINISHING: POWDER COATING (RAL9001)

STEEL ASSEMBLIES	AMOUNT [PCS]	UNIT WEIGHT [kg/PCS]	TOTAL WEIGHT [kg]
A008_foot plate for inclined beam 60	4	16,65	66,6
A020_foot plate for inclined beam 45 degree	2	24,62	49,2

TOTAL WEIGHT [kg] 115,8

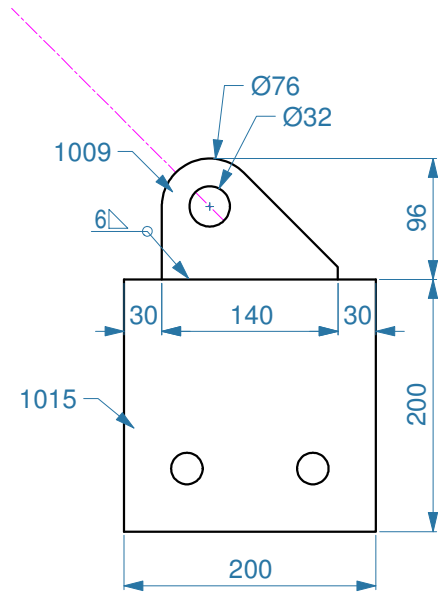
REV	CHANGE	DATE	DRAWN
2			
1	-	-	-

PROJECT:	MASTER THESIS PROJECT COURTYARD COVER	PROJECT N°:	MTP-ZS
DRAWING:	STEEL ASSEMBLY-10 FOOTINGS (A008; A020)	DRAWING N°:	SD-ST-A10
DRAWN:	ZOLTÁN SIMON	DATE:	01.03.2016
		SCALE:	N.T.S.
		REV:	-
		SIZE:	A3

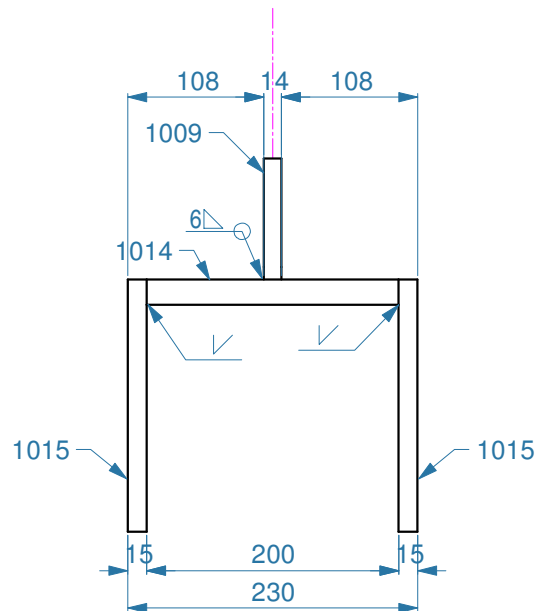


A010- FOOT PLATE FOR INCLINED BEAM (45°-PRESSURE)

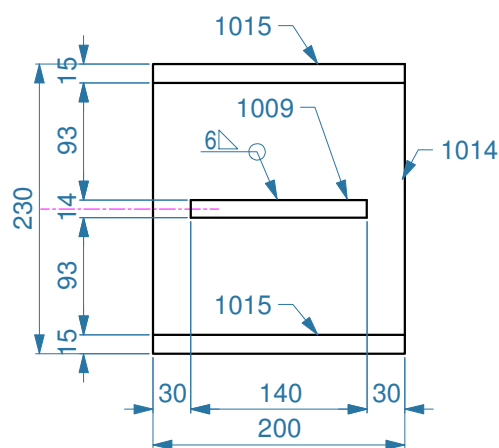
SIDE VIEW
SCALE 1:6



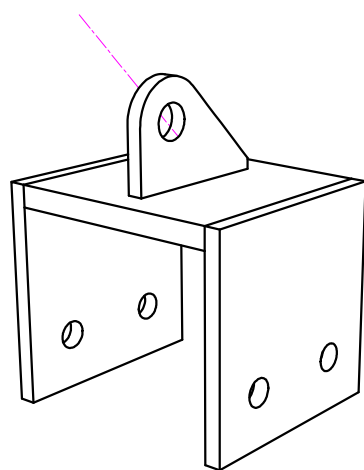
FRONT VIEW
SCALE 1:6



TOP VIEW
SCALE 1:6

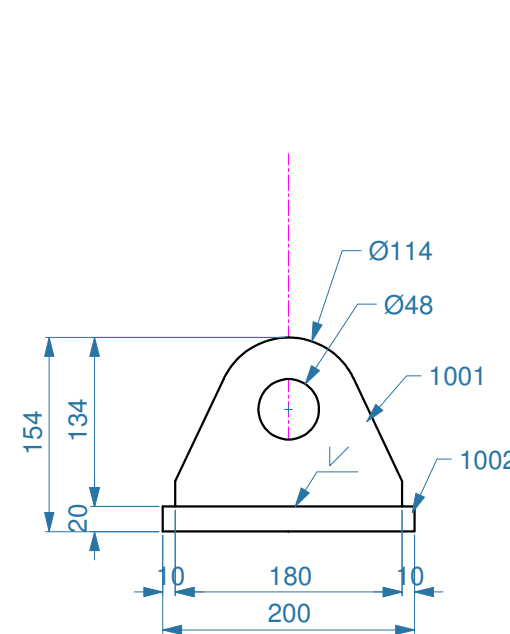


PERSPECTIVE VIEW

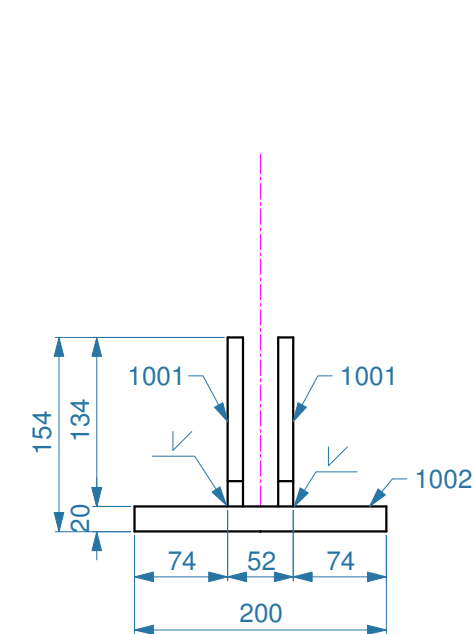


A011- FOOT PLATE FOR VERTICAL BEAM

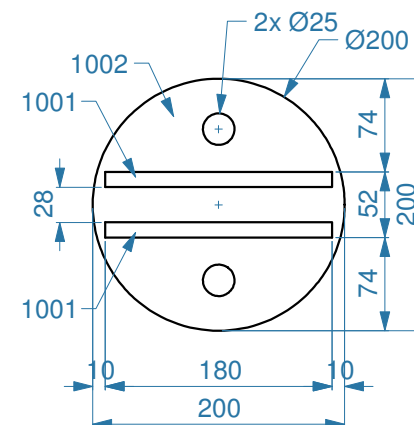
SIDE VIEW
SCALE 1:6



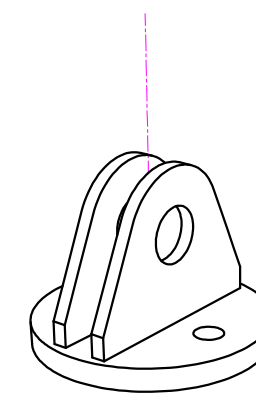
FRONT VIEW
SCALE 1:6



TOP VIEW
SCALE 1:6



PERSPECTIVE VIEW




MATERIAL: STEEL S355
FINISHING: POWDER COATING (RAL9001)

STEEL ASSEMBLIES	AMOUNT [PCS]	UNIT WEIGHT [kg/PCS]	TOTAL WEIGHT [kg]
A010_footplate for inclined beam 45°	2	16,41	32,8
A011_foot plate vertical beam	5	7,74	38,7

TOTAL WEIGHT [kg] 71,5

REV	CHANGE	DATE	DRAWN
2			
1	-	-	-

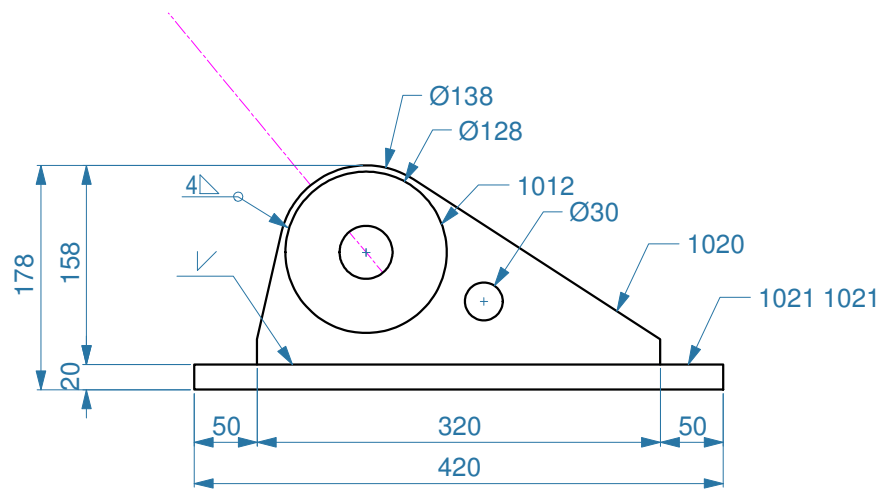
PROJECT:	MASTER THESIS PROJECT COURTYARD COVER	PROJECT N°:	MTP-ZS
DRAWING:	STEEL ASSEMBLY-11 FOOTINGS (A010; A011)	DRAWING N°:	SD-ST-A11
DRAWN:	ZOLTÁN SIMON	DATE:	01.03.2016
		SCALE:	N.T.S.
		REV:	-
		SIZE:	A3



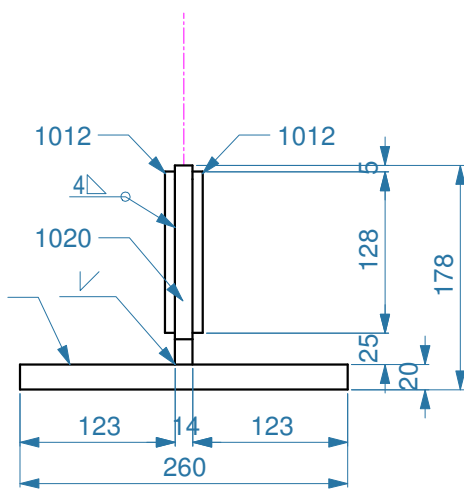
A012 - FOOT PLATE FOR BACKSTAY CABLES (D2)

A013 - FOOT PLATE FOR BACKSTAY CABLE (D5)

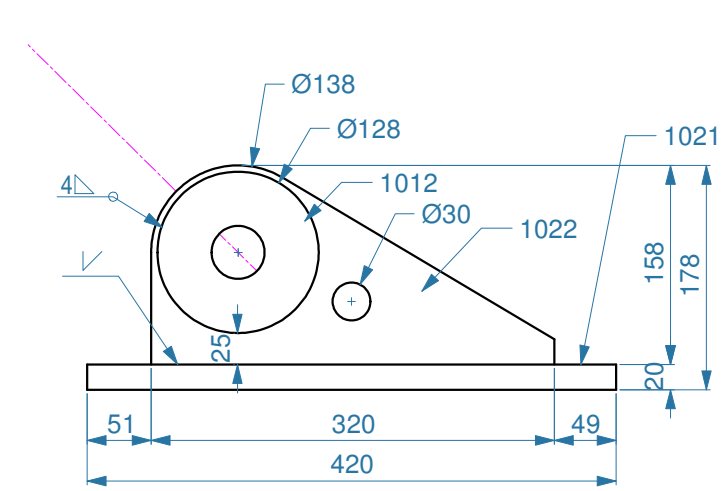
SIDE VIEW
SCALE 1:6



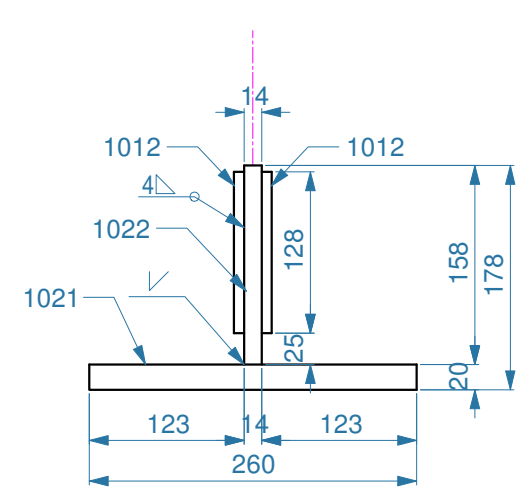
FRONT VIEW
SCALE 1:6



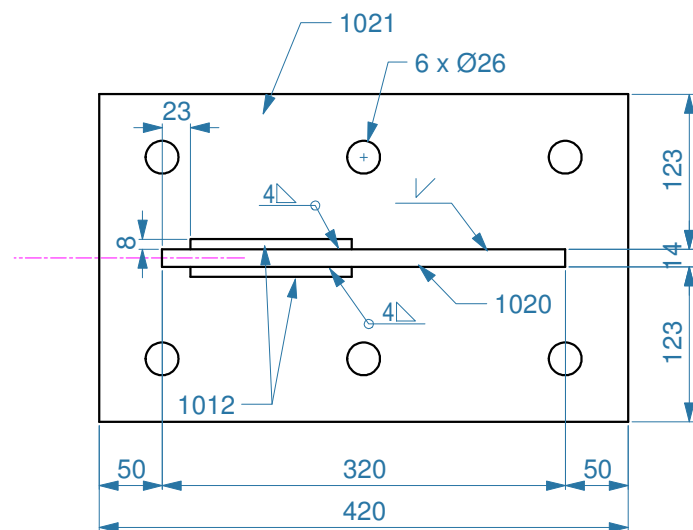
SIDE VIEW
SCALE 1:6



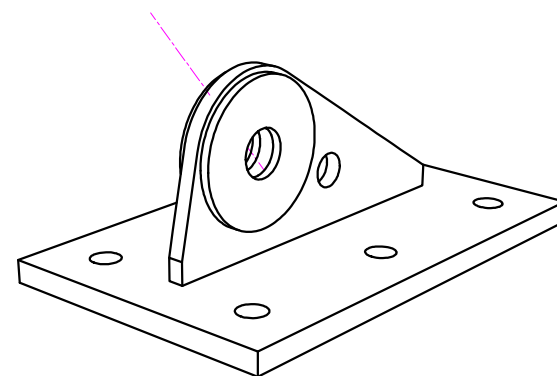
FRONT VIEW
SCALE 1:6



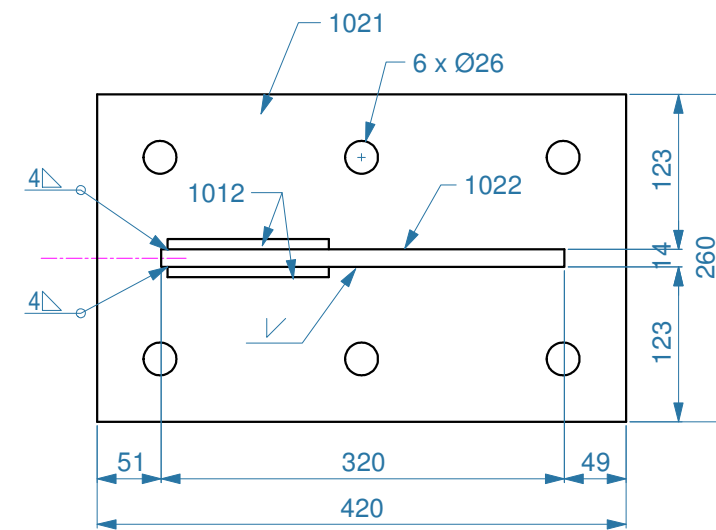
TOP VIEW
SCALE 1:6



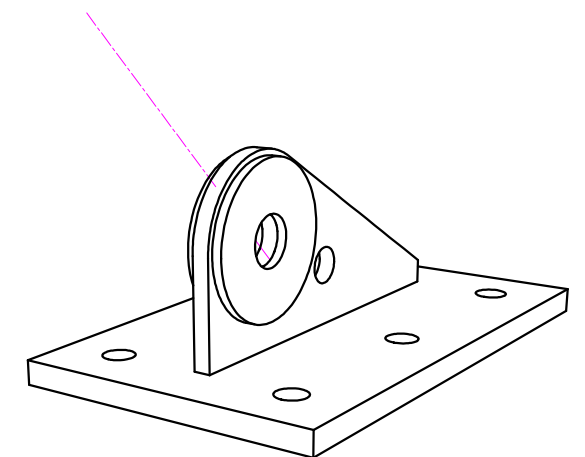
PERSPECTIVE VIEW



TOP VIEW
SCALE 1:6



PERSPECTIVE VIEW



MATERIAL: STEEL S355
FINISHING: POWDER COATING (RAL9001)

STEEL ASSEMBLIES	AMOUNT [PCS]	UNIT WEIGHT [kg/PCS]	TOTAL WEIGHT [kg]
A012_foot plate D2	2	21,57	43,1
A013_foot plate D5	1	21,61	21,6

TOTAL WEIGHT [kg] 64,7

REV	CHANGE	DATE	DRAWN
2			
1	-	-	-

PROJECT: MASTER THESIS PROJECT COURTYARD COVER		PROJECT N°: MTP-ZS	
DRAWING: STEEL ASSEMBLY-12 FOOTINGS (A012; A013)		DRAWING N°: SD-ST-A12	REV: -
DRAWN: ZOLTÁN SIMON	DATE: 01.03.2016	SCALE: N.T.S.	SIZE: A3

